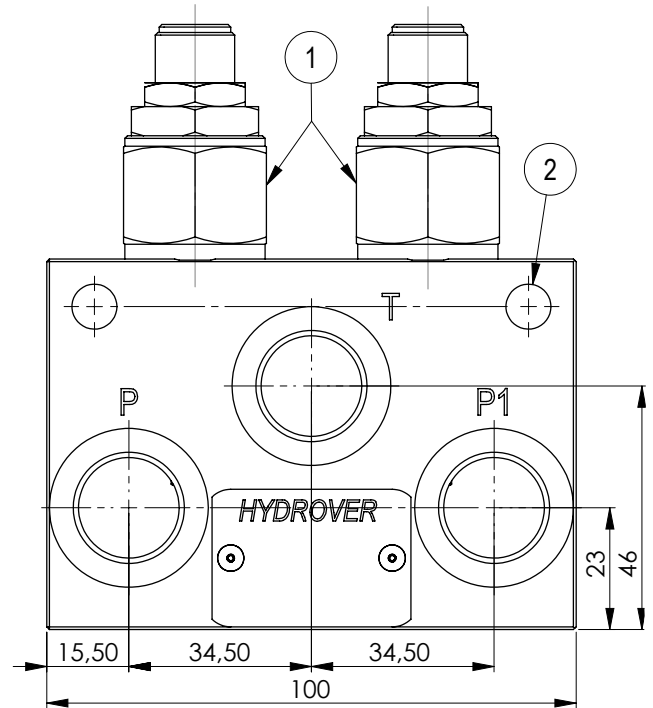
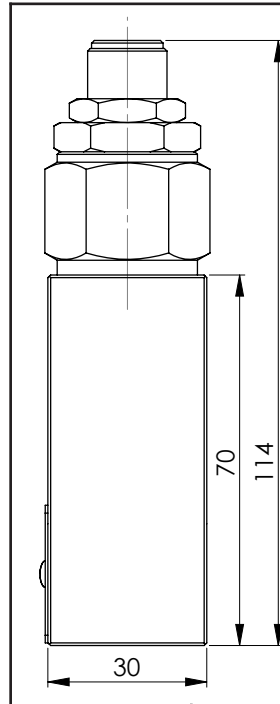
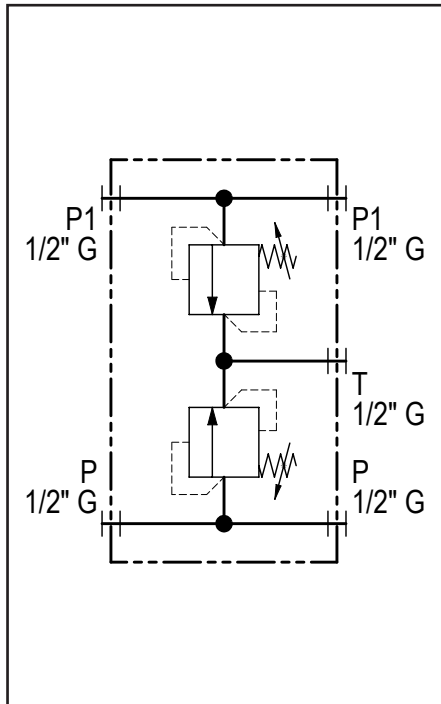


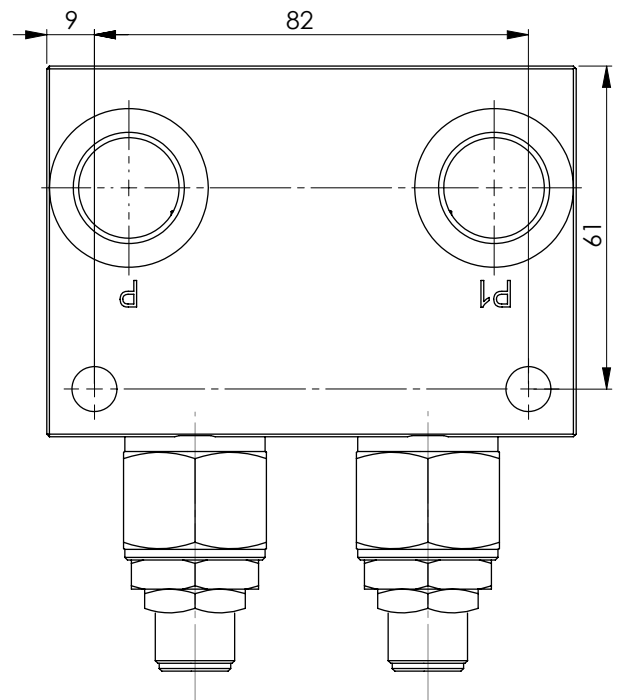
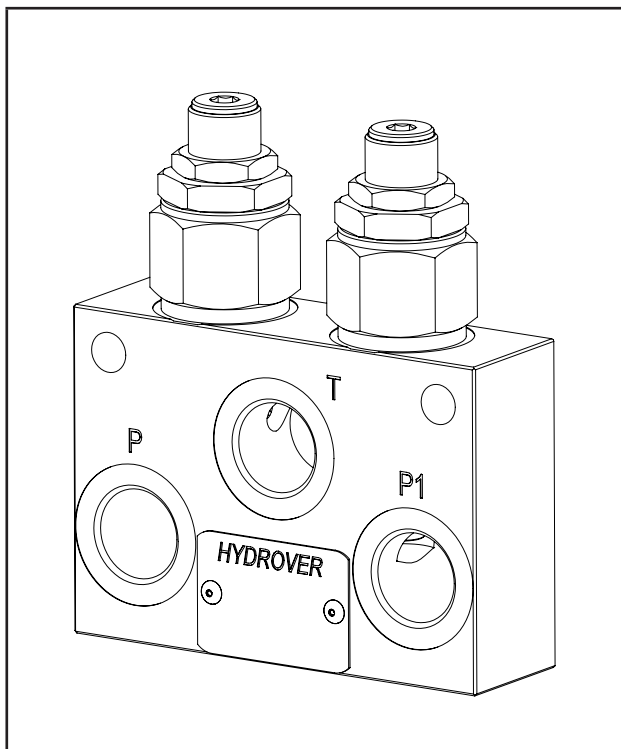
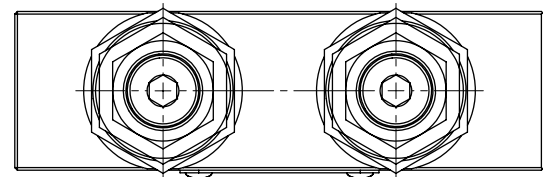
Inline relief valve double effect
crossing P-P1 ports and T port 1/2" G / 70 lpm

H17059



Dimensions in mm

Technical data	
Max. pressure	250 bar
Max. flow	70 lpm
Weight	0,8 Kg
Manifold material	Aluminum
P / P1 / T ports	1/2" G



N°	Description	Q.ty
1	Bosch Rexroth relief valve VMD1.070 *	2
2	Ø 8,5 through hole for mounting	2

* for complete technical information, click on the blue link or go to the components section at the end of the catalogue

Ordering code

H	1	7	0	5	9	A	-	-	-	-	-
---	---	---	---	---	---	---	---	---	---	---	---

Hydrover product

Product series

Serie 17 - Inline valves

Product ID

Manifold material

Aluminum

Relief valve adjustment type P *

Screw

= S

Relief valve adjustment pressure range P *

10-60 bar

= 0

40-110 bar

= 1

110-220 bar

= 2

220-260 bar

= 3

Relief valve adjustment pressure range P1 *

0 = 10-60 bar

1 = 40-110 bar

2 = 110-220 bar

3 = 220-260 bar

Relief valve adjustment type P1 *

S = Screw

* Omit if not required. To order the product without the pressure relief cartridge valves, omit the pressure range and the adjustment type options: H17059A.

The manifold will still be provided with the corresponding cavities.