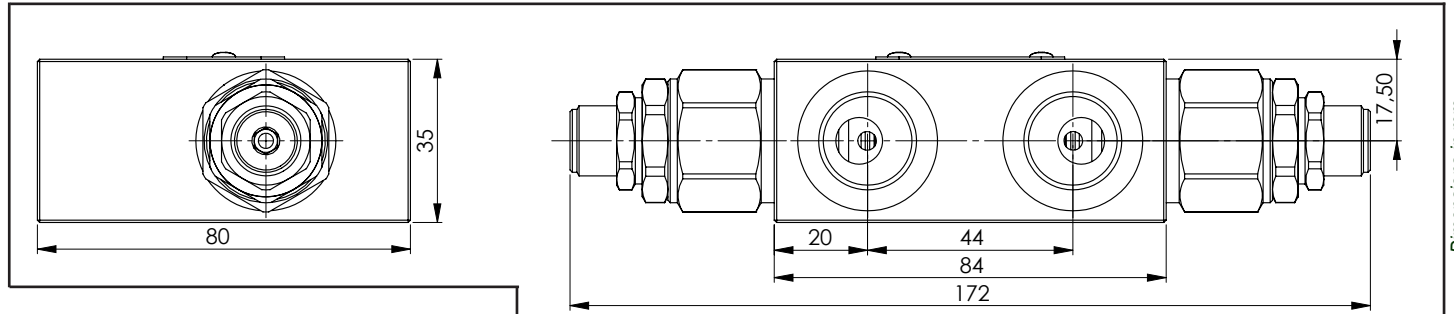
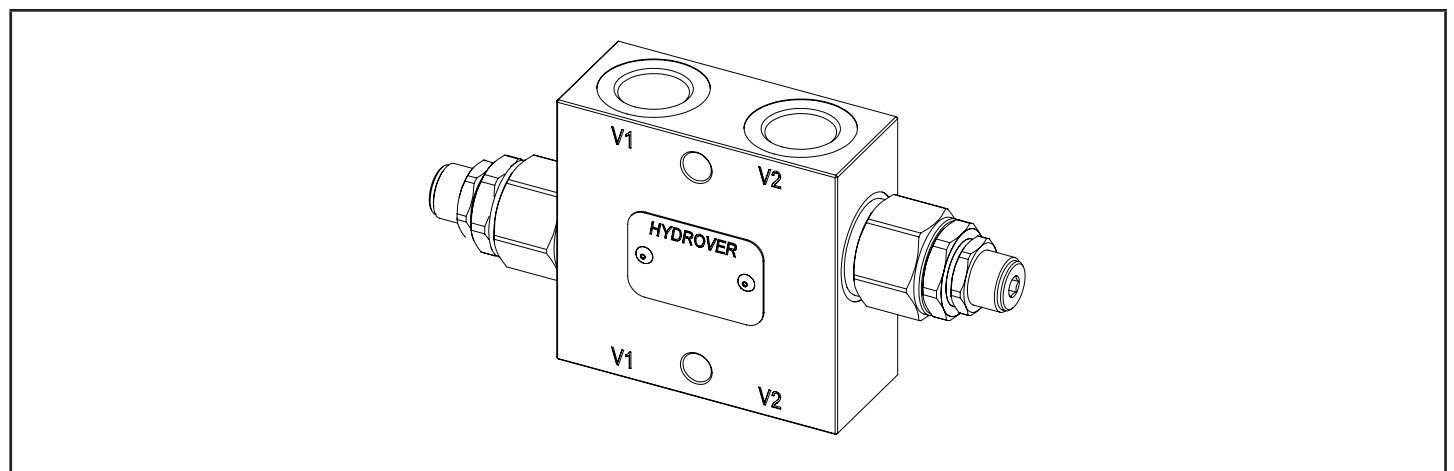
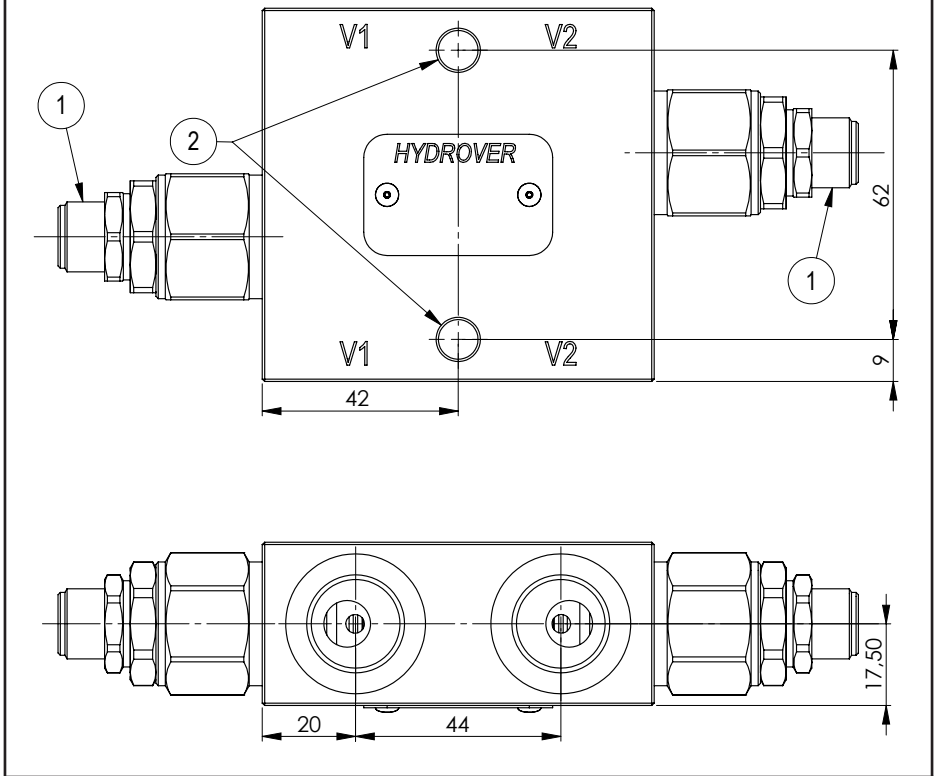
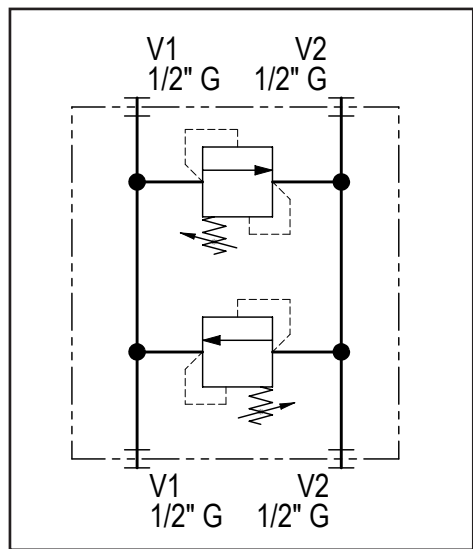


Inline relief valve double effect crossing V1 V2 ports 1/2" G / 40 lpm **H17063**



Dimensions in mm

Technical data	
Max. pressure	250 bar
Max. flow	40 lt/1 *
Weight	0,9 Kg
Manifold material	Aluminium
V1 / V2 ports	1/2" G



N°	Description	Q.ty
1	Bosch Rexroth relief valve VMD1.040 *	2
2	Ø 8,5 through hole for mounting	2

* for complete technical information, click on the blue link or go to the components section at the end of the catalogue

Ordering code

H	1	7	0	6	3	A	-	-	-	-
---	---	---	---	---	---	---	---	---	---	---

Hydrover product

Product series

17 series - Inline valves

Product ID

Manifold material

Aluminium

Relief valve adjustment type V1 *

Screw

= S

Relief valve adjustment pressure range V1 *

25-120 bar

= 1

40-200 bar

= 2

200-350 bar

= 3

Relief valve adjustment pressure range V2 *

1= 25-120 bar

2= 40-200 bar

3= 200-350 bar

Relief valve adjustment type V2 *

S = Screw

* Omit if not required. To order the product without the pressure relief cartridge valves, omit the pressure range and the adjustment type options: H17063A.

The manifold will still be provided with the corresponding cavities.