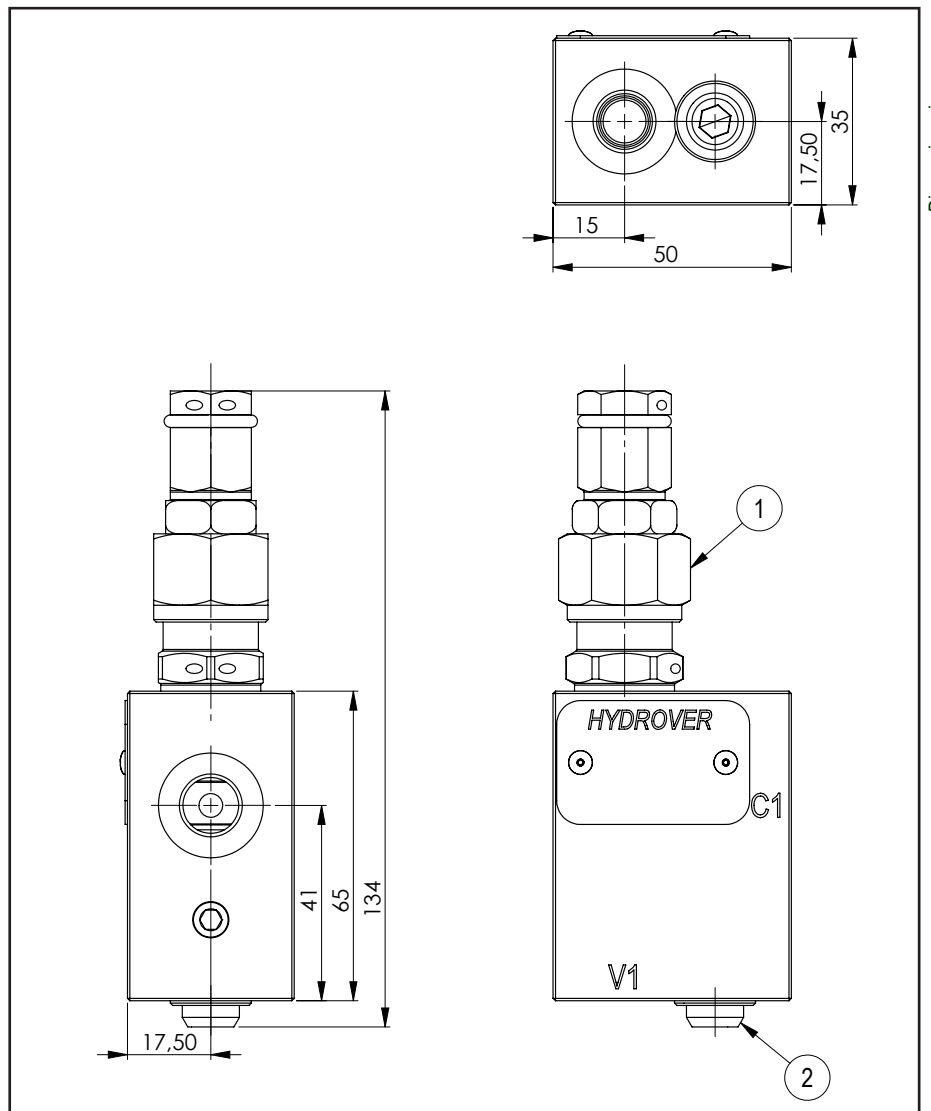
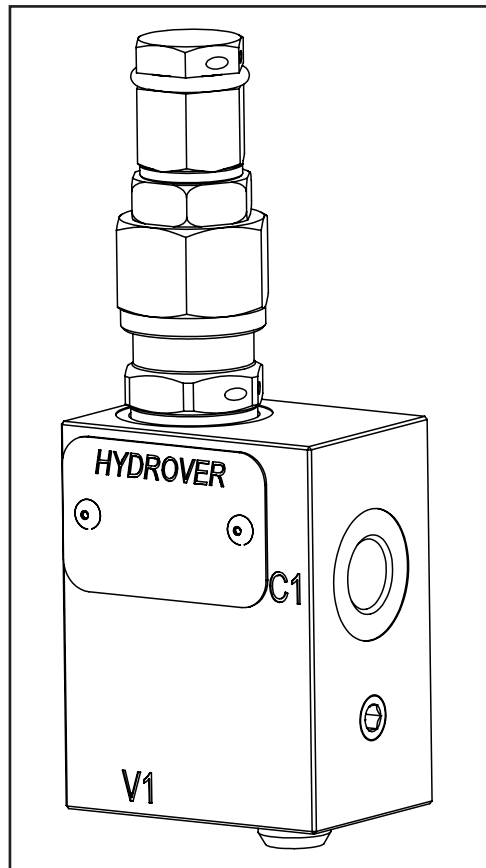
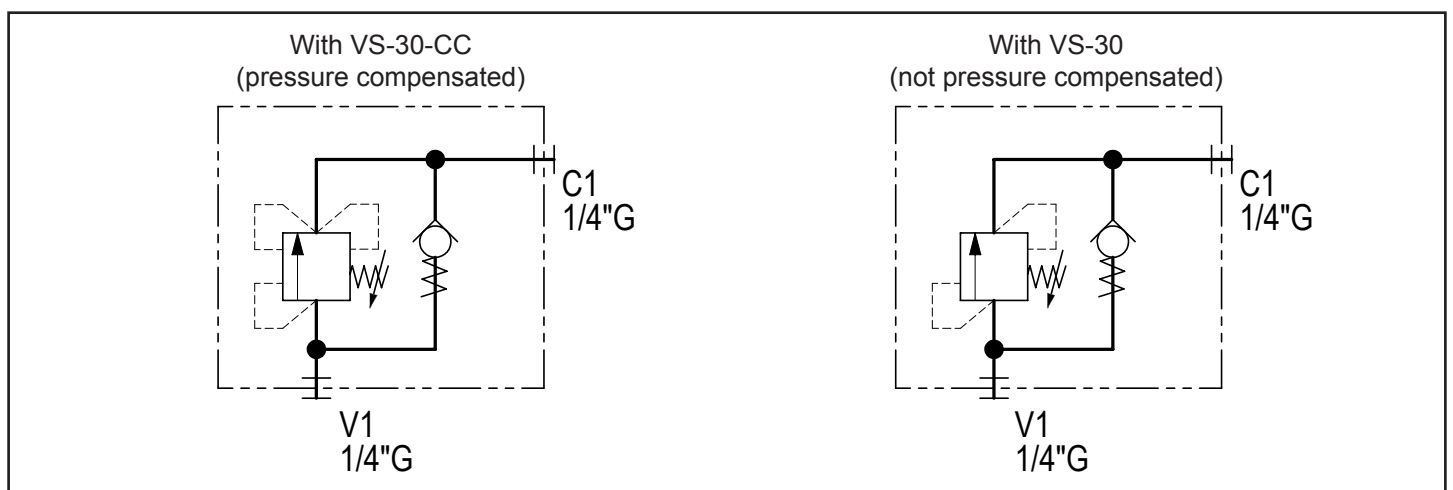


Technical data	
Max. pressure	250 bar
Max. flow	30 lpm
Weight	0,5 Kg
Manifold material	Aluminum



Dimensions in mm



N°	Description	Q.ty
1	Bosch Rexroth pressure compensated valve VS-30-CC * (as depicted). It's possible to use a Bosch Rexroth non pressure compensated valve VS-30 * in case it is acceptable to add to the set pressure the pressure necessary for the second branch.	1
2	Bosch Rexroth check valve	1

* for complete technical information, click on the blue link or go to the components section at the end of the catalogue

Ordering code

H	1	7	0	7	1	A	-	-	-
---	---	---	---	---	---	---	---	---	---

Hydrover product

Product series

17 series - Inline valves

Product ID

Manifold material

Aluminum

Valve type *

VS-30-CC

VS-30

S =

M =

Valve adjustment pressure range *

0 = 5-50 bar

1 = 30-100 bar

2 = 50-210 bar

3 = 100-350 bar

Valve adjustment type *

S =

K =

Screw

Knob (only for VS-30)

* Omit if not required. To order the product without the cartridge valve, omit the adjustment type, valve pressure range and valve type options: H17071A.

The manifold will still be provided with the corresponding cavity.