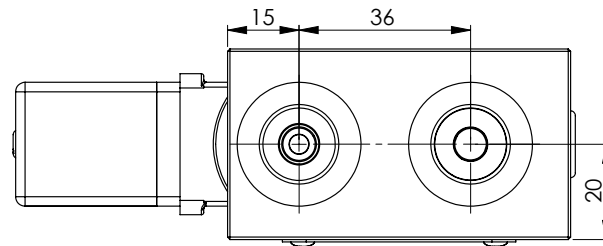
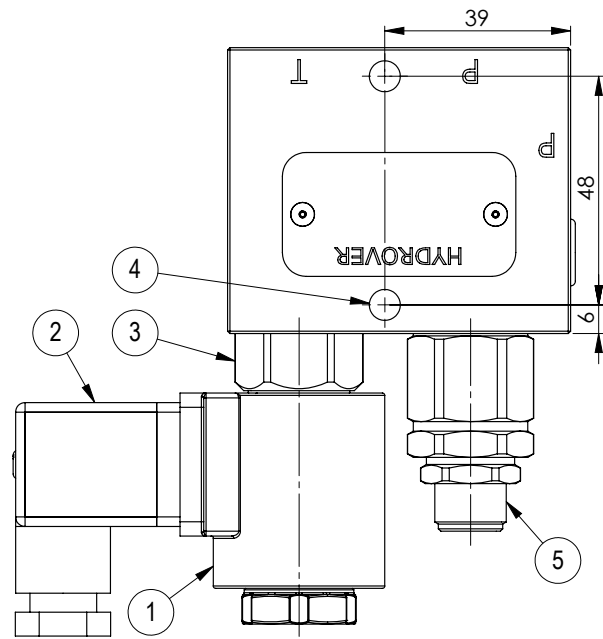
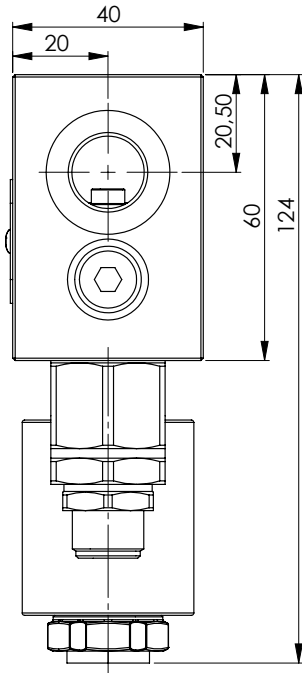
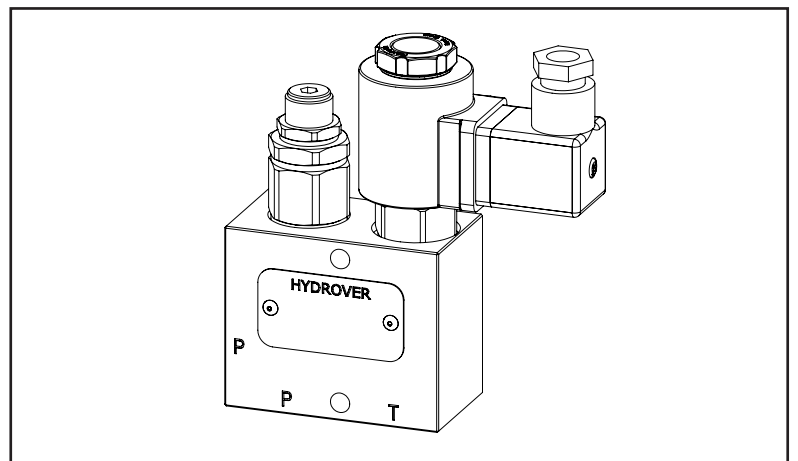
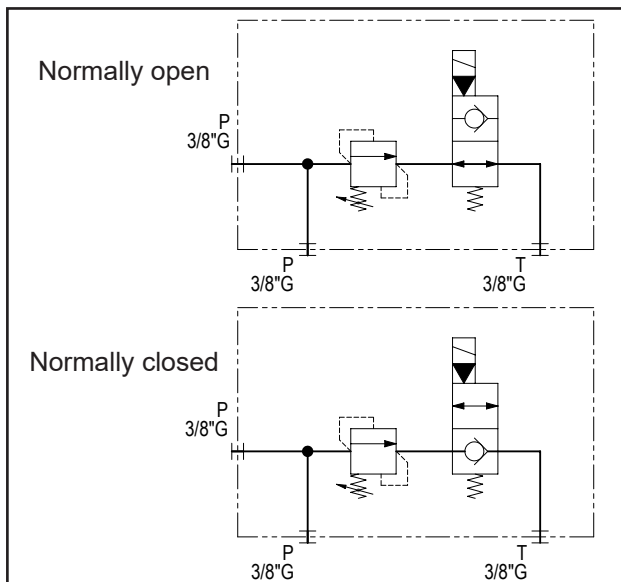


Dimensions in mm



Technical data	
Max. pressure	250 bar
Max. flow	30 lpm *
Weight	0,86 Kg
Manifold material	Aluminium
P / T ports	3/8" G



N°	Description	Q.ty
1	Bosch Rexroth coil D36 - CLASS H DIN 43650 ISO 4400 *	1
2	Connector DIN 43650 ISO 4400	1
3	Bosch Rexroth solenoid valve VEI-16 OD.15.05.18-Y-000000 (normally closed) o VEI-16 OD.15.06.18-Y-000000 (normally open) depicted without manual override *	1
4	Ø 6,5 through hole for mounting	2
5	Bosch Rexroth relief valve VMD1.025 *	1

* for complete technical information, click on the blue link or go to the components section at the end of the catalogue

Ordering code

H	1	7	0	8	6	A	-	-	-	-	-	-	-	-	-
---	---	---	---	---	---	---	---	---	---	---	---	---	---	---	---

Hydrover product

Product series
17 series - Inline valves

Product ID

Manifold material
Aluminium

Relief valve adjustment type *
Screw = S

Relief valve adjustment pressure range *

25-120 bar	= 1
40-200 bar	= 2
200-350 bar	= 3

Solenoid valve coil connection *
1 = DIN 43650
ISO 4400

Solenoid valve coil voltage *

OB =	12V DC
OC =	24V DC
OD =	48V DC
OU =	110V RAC
AH =	230V RAC

Solenoid valve manual override *

E0 =	Without
EP =	Push (NA)
EV =	Screw (NC)
EG =	Push and twist (NA)

Solenoid valve spool type *

NA =	Normally open
NC =	Normally closed

* Omit if not required. For example, to order the product without the solenoid cartridge valve, omit the coil connection, coil voltage and manual override options: H17086A-S2.
The manifold will still be provided with the corresponding cavity.