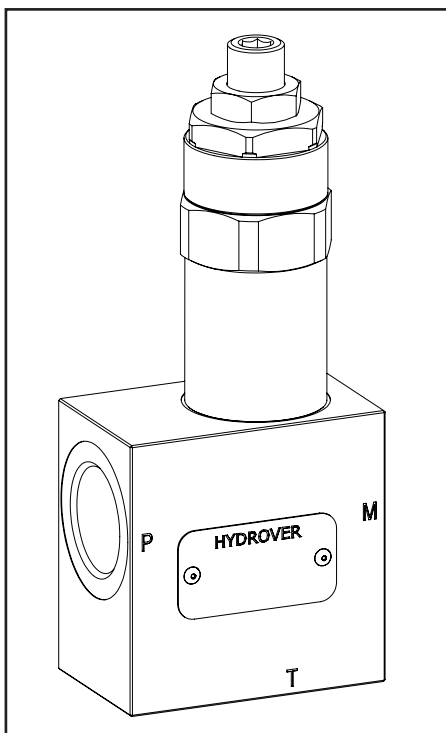
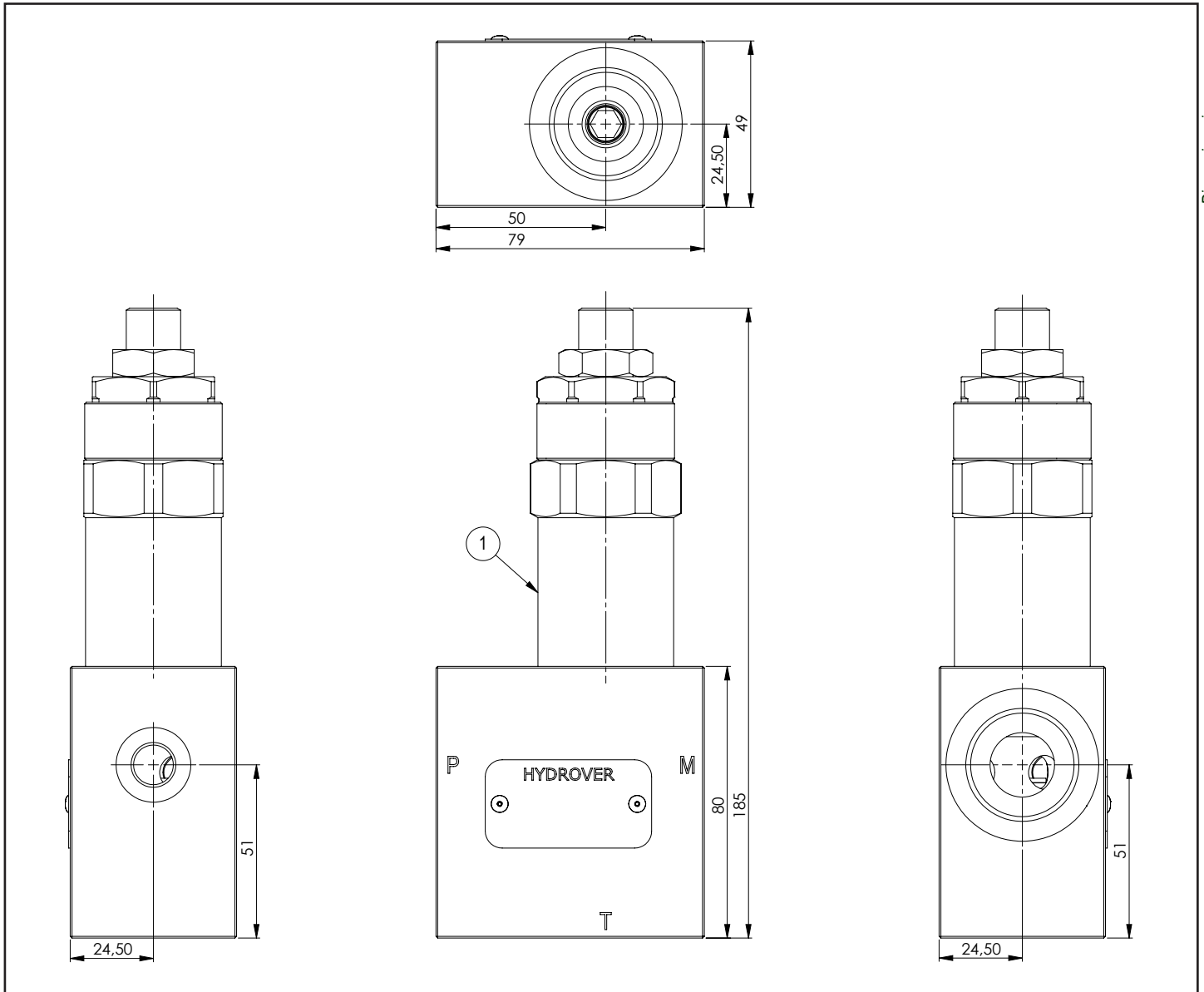


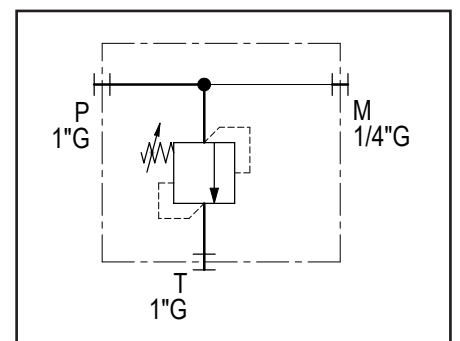
Dimensions in mm



Technical data	
Max. pressure	350 bar
Max. flow	240 lpm *
Weight	2,75 Kg
Manifold material	Steel
P / T ports	1" G
M port	1/4" G

N°	Descrizione	Q.tà
1	Bosch Rexroth relief valve VSD-250	1

* for complete technical information, click on the blue link



Ordering code

H	1	7	0	8	9	S	-	_	_
---	---	---	---	---	---	---	---	---	---

Hydrover product

Product series

17 series - Inline valves

Product ID

Manifold material

Steel

Relief valve adjustment pressure range *

120-350 bar

3 =

Relief valve adjustment type *

Screw

S =

* Omit if not required. To order the product without the pressure relief cartridge valve, omit the pressure range and the adjustment type options: H17089S.

The manifold will still be provided with the corresponding cavity.