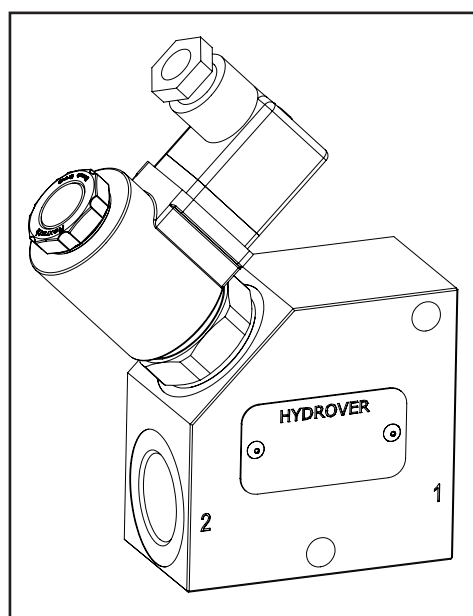


Dimensions in mm

N°	Description	Q.ty
1	Bosch Rexroth solenoid valve <b>VEI-16-12G-NC OD.15-X-17-Y-000000</b> (normally closed) or <b>VEI-16-12G-NA OD.15-X-17-Y-000000</b> (normally open) depicted without manual override *	1
2	Bosch Rexroth coil <b>D36 - CLASS H DIN 43650 ISO 4400</b> *	2
3	Connector DIN 43650 ISO 4400	1
4	Ø 8,5 through hole for mounting	1

\* for complete technical information, click on the blue link or go to the components section at the end of the catalogue



Technical data		
Max. flow	70 lpm	
Ports	3/4" G	
Manifold material	Aluminium	Steel
Max. pressure	250 bar	350 bar
Weight	1,05 Kg	2,1 Kg

Ordering code



**Hydrover product**

**Product series**

17 series - Inline valves

**Product ID**

**Manifold material**

Aluminium

= A

Steel

= S

**Solenoid valve spool type \***

Normally open

= NA

Normally closed

= NC

Normally open double lock

= 2A

Normally closed double lock

= 2C

**Solenoid valve coil connection \***

1 = DIN 43650 ISO 4400

**Solenoid valve coil voltage \***

OB = 12V DC

OC = 24V DC

OD = 48V DC

OU = 110V RAC

AH = 230V RAC

**Solenoid valve manual override \***

E0 = Without

EP = Push (NA, 2A)

EV = Screw (NC, 2C)

EG = Push and twist (NA, 2A)

\* Omit if not required. For example, to order the product without valves, omit the solenoid valve spool type, manual override, coil connection and coil voltage options: H17111A.  
The manifold will still be provided with the corresponding cavity.

