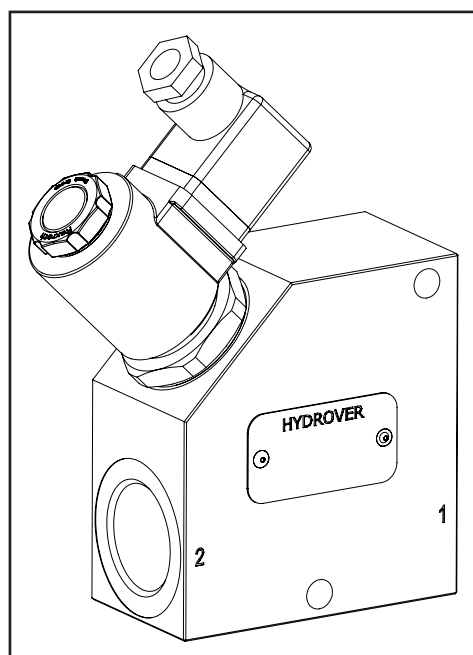


Dimensions in mm

N°	Description	Q.ty
1	Bosch Rexroth solenoid valve VEI-16-16G-NC OD.15-X-21-Y-000000 (normally closed) or VEI-16-16G-NA OD.15-X-21-Y-000000 (normally open) depicted without manual override *	1
2	Bosch Rexroth coil D36 - CLASS H DIN 43650 ISO 4400 *	2
3	Connector DIN 43650 ISO 4400	1
4	Ø 8,5 through hole for mounting	1

* for complete technical information, click on the blue link or go to the components section at the end of the catalogue



Technical data		
Max. flow	150 lpm	
Ports	1" G	
Manifold material	Aluminium	Steel
Max. pressure	250 bar	350 bar
Weight	1,4 Kg	3 Kg

Ordering code



Hydrover product

Product series

17 series - Inline valves

Product ID

Manifold material

Aluminium

= A

Steel

= S

Solenoid valve spool type *

Normally open

= NA

Normally closed

= NC

Normally open double lock

= 2A

Normally closed double lock

= 2C

Solenoid valve coil connection *

1 = DIN 43650 ISO 4400

Solenoid valve coil voltage *

OB = 12V DC

OC = 24V DC

OD = 48V DC

OU = 110V RAC

AH = 230V RAC

Solenoid valve manual override *

E0 = Without

EP = Push (NA, 2A)

EV = Screw (NC, 2C)

EG = Push and twist (NA, 2A)

* Omit if not required. For example, to order the product without valves, omit the solenoid valve spool type, manual override, coil connection and coil voltage options: H17112A.
The manifold will still be provided with the corresponding cavity.

