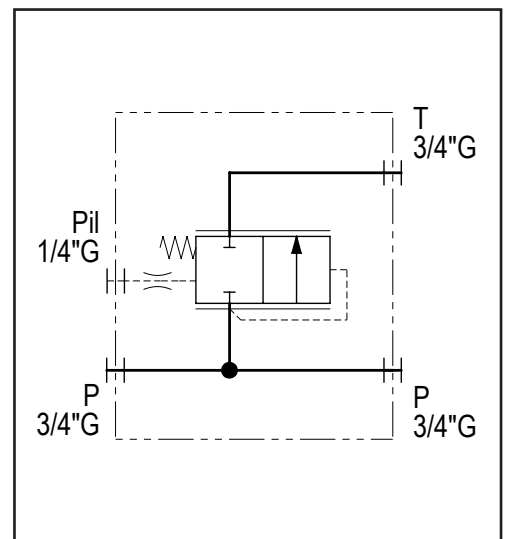
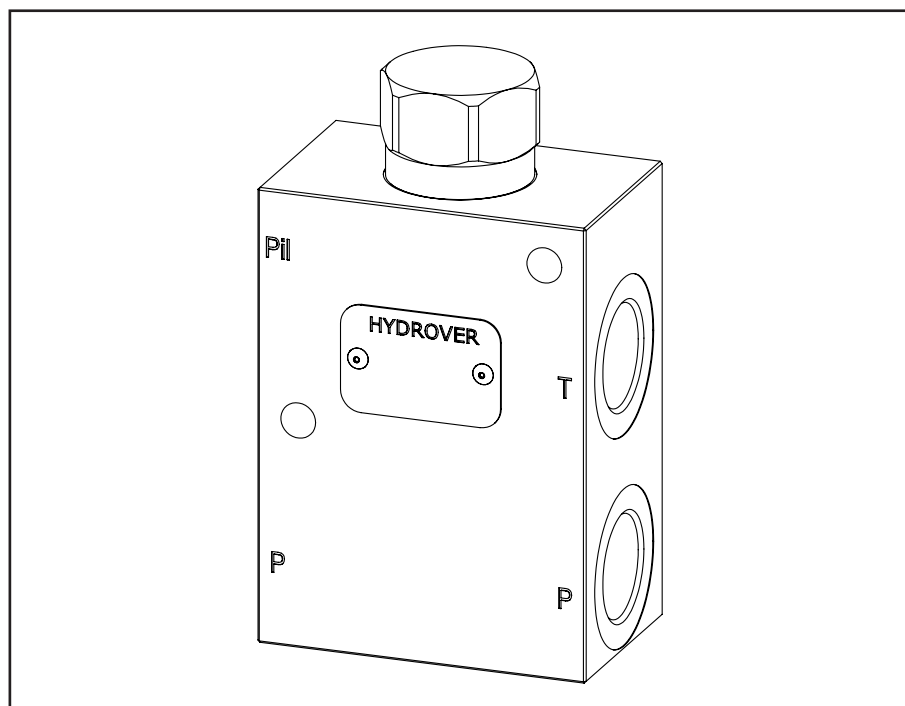


Dimensions in mm

N°	Description	Q.ty
1	Compensator	1
2	Ø 8,5 through hole for mounting	2

Technical data	
Max. pressure	250 bar
Max. flow	160 lpm
Weight	1,35 Kg
Manifold material	Aluminium
Pil port	1/4" G
P / T ports	3/4" G



H	1	7	1	1	6	A	_
---	---	---	---	---	---	---	---

Hydrover product

Product series

17 series - Inline valves

Product ID

Compensatore spring

6 =	6 bar
1 =	12 bar
2 =	19 bar

Manifold material

Aluminium