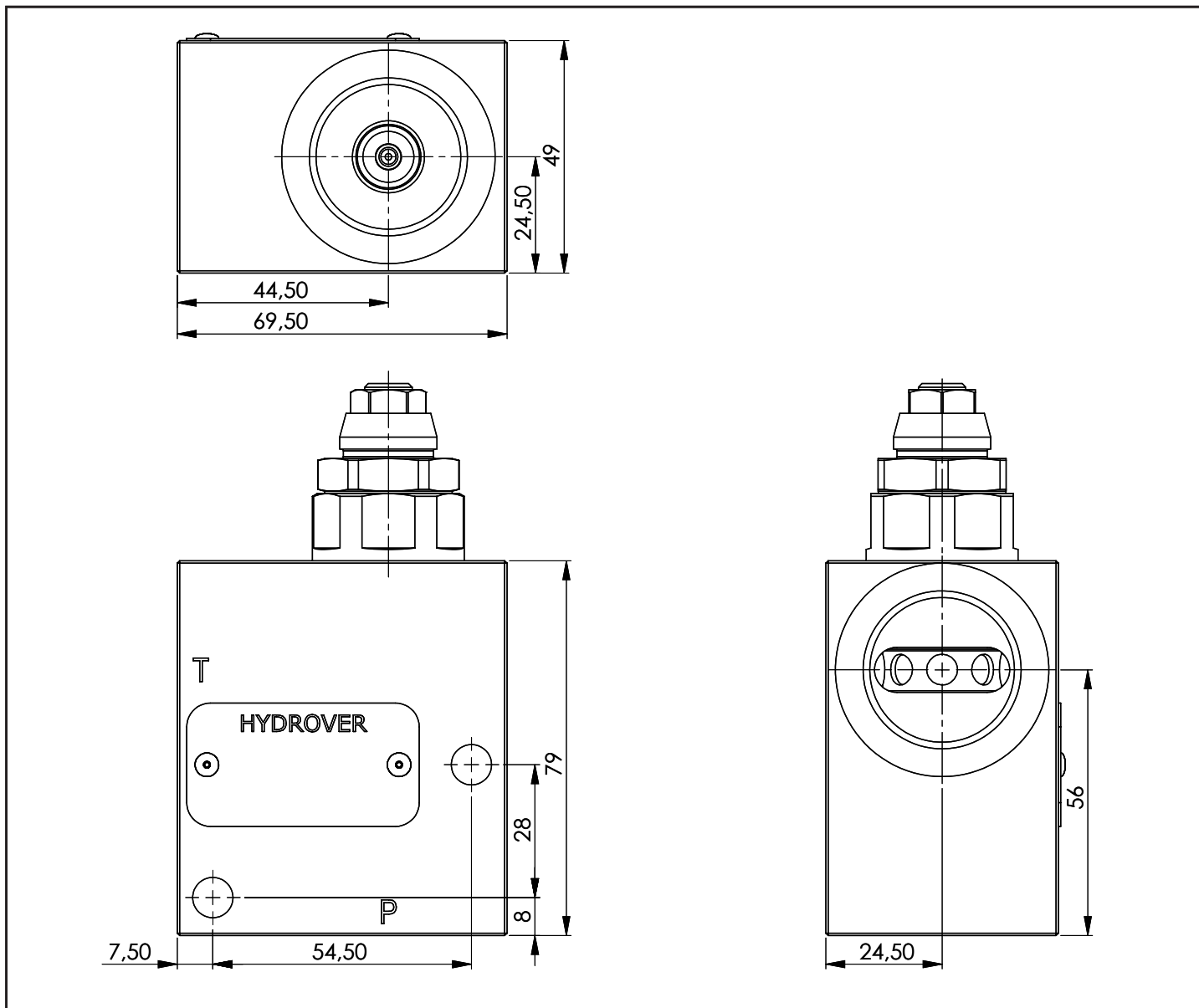
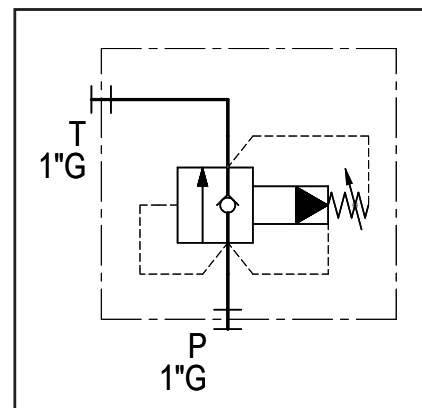
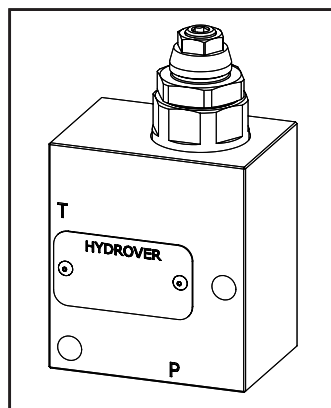


Dimensions in mm



Technical data	
Max. pressure	350 bar
Max. flow	200 lt/1 *
Weight	1,8 Kg
Manifold material	Steel
P / T ports	1" G



N°	Description	Q.ty
1	Bosch Rexroth relief valve and anti-cavitation VMR2.240.NG.320 100-420 bar (similar to the VMR2.240.NG.000 but with NBR seals and zinc plated body)*	1
2	Ø 8,5 through hole for mounting	2

* for complete technical information, click on the blue link or go to the components section at the end of the catalogue

H17119

Ordering code

H	1	7	1	1	9	S
---	---	---	---	---	---	---

Hydrover product

Manifold material
Steel

Product series
17 series - Inline valves

Product ID