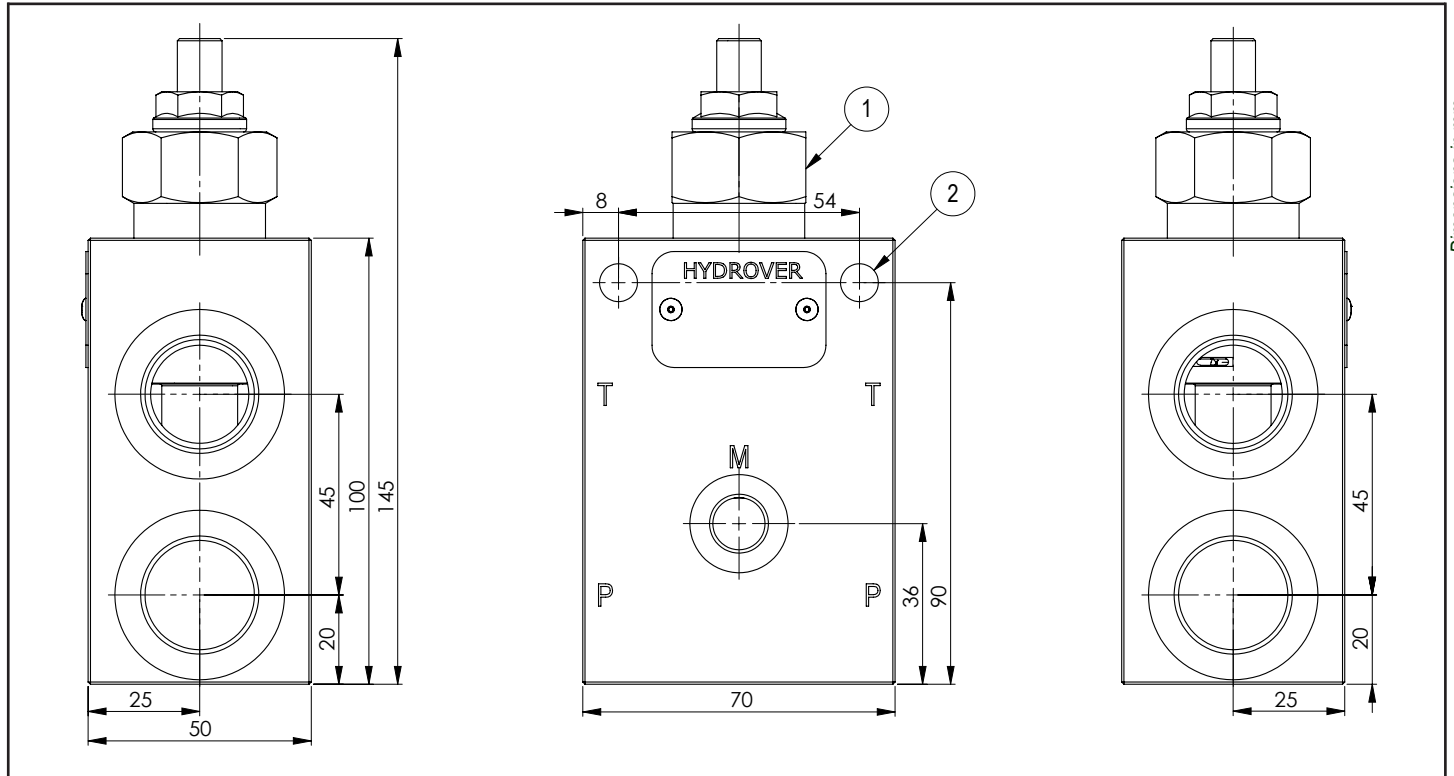
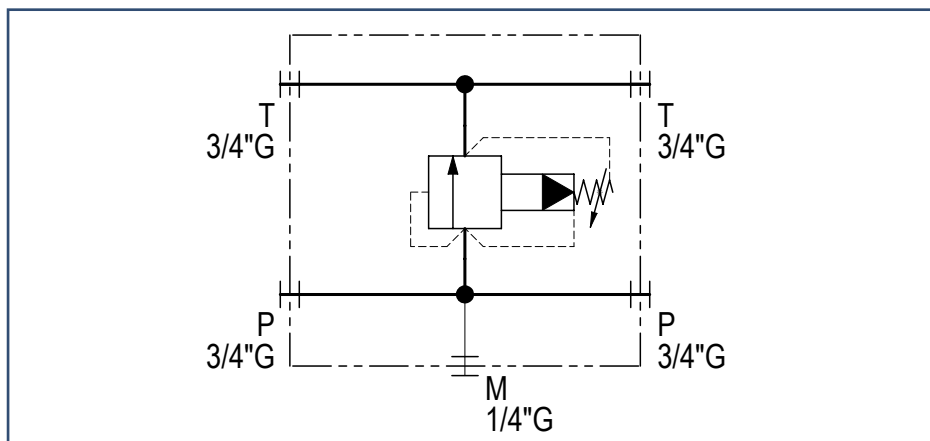
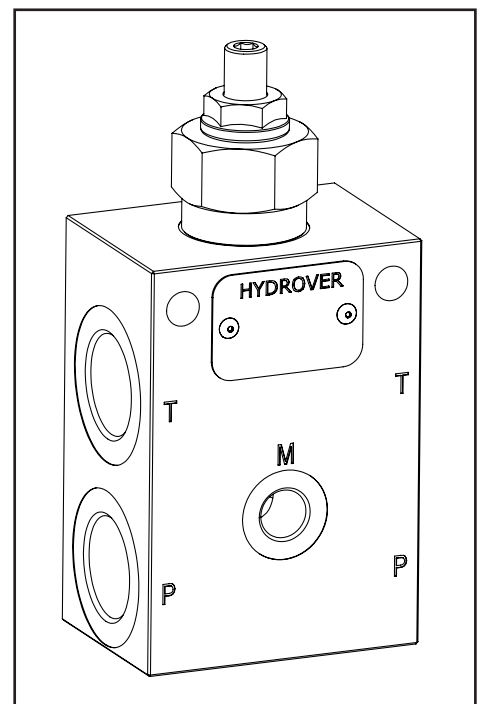
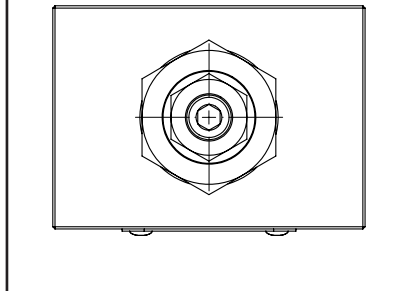


Dimensions in mm



Technical data	
Max. pressure	250 bar
Max. flow	150 lpm *
Weight	1 Kg
Manifold material	Aluminium
M port	1/4" G
P / T ports	3/4" G



N°	Description	Q.ty
1	Bosch Rexroth relief valve VSP-150 depicted with screw adjustment *	1
2	Ø 8,5 through hole for mounting	2

* for complete technical information, click on the blue link or go to the components section at the end of the catalogue

Ordering code

H	1	7	1	2	5	A	-	_	_
---	---	---	---	---	---	---	---	---	---

Hydrover product

Product series

17 series - Inline valves

Product ID

Manifold material

Aluminium

Relief valve adjustment pressure range *

0 =	3-70 bar
1 =	7-105 bar
2 =	10-210 bar
3 =	35-420 bar

Relief valve adjustment type *

S =	Screw
K =	Knob

* Omit if not required. To order the product without the pressure relief cartridge valve, omit the pressure range and the adjustment type options: H17125A.
The manifold will still be provided with the corresponding cavity.