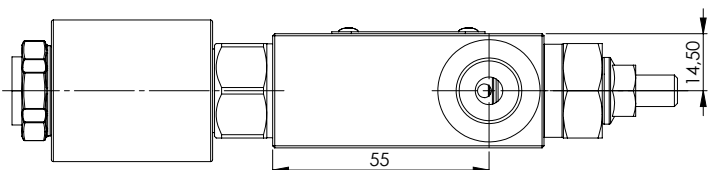
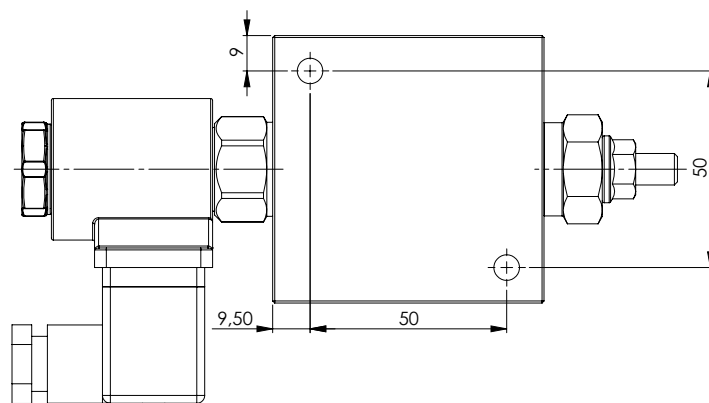
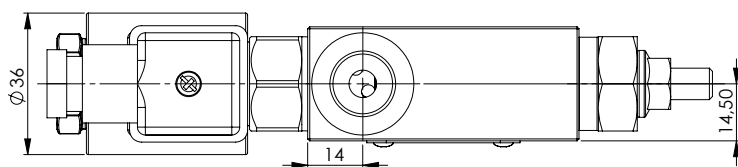
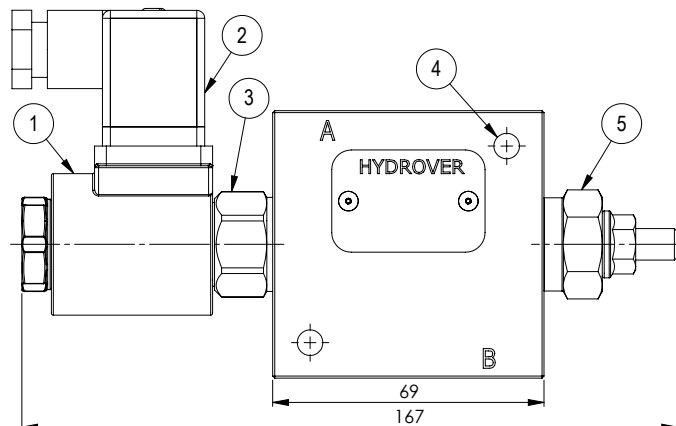
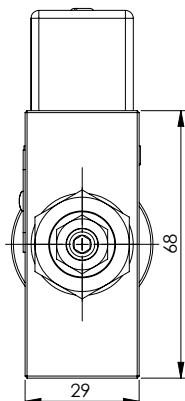
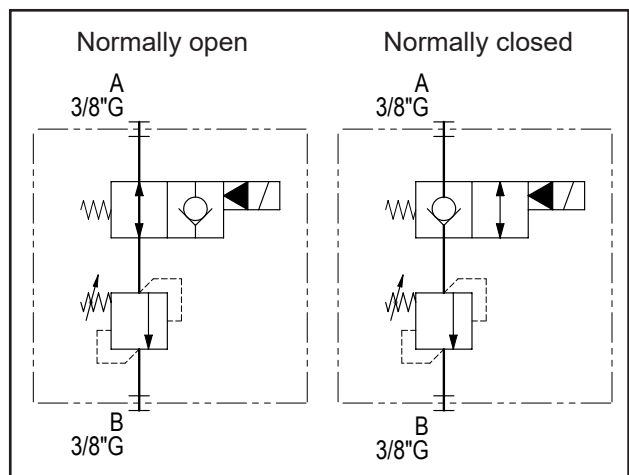
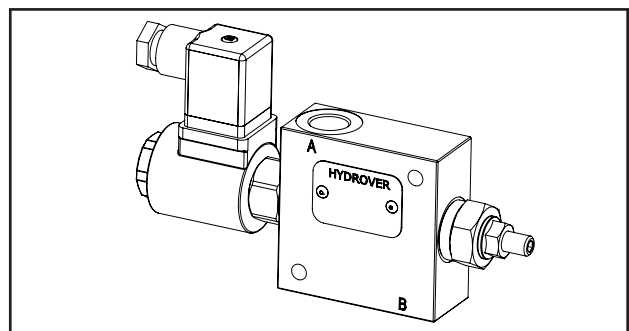


Dimensions in mm



Technical data	
Max. pressure	250 bar
Max. flow	20 lpm *
Weight	0,77 Kg
Manifold material	Aluminium
A / B ports	3/8" G



N°	Description	Q.ty
1	Bosch Rexroth coil <b>D36</b> - CLASS H DIN 43650 ISO 4400 *	1
2	Connector DIN 43650 ISO 4400	1
3	Bosch Rexroth solenoid valve <b>VEI-16 OD.15.05.18-Y-000000</b> (normally closed) o <b>VEI-16 OD.15.06.18-Y-000000</b> (normally open) depicted without manual override *	1
4	Ø 6,5 through hole for mounting	2
5	Bosch Rexroth relief valve <b>VSBN-08A</b> *	1

\* for complete technical information, click on the blue link or go to the components section at the end of the catalogue

Ordering code

H	1	7	1	2	9	A	-	-	-	-	-	-	-	-	-
---	---	---	---	---	---	---	---	---	---	---	---	---	---	---	---

**Hydrover product**

**Product series**  
17 series - Inline valves

**Product ID**

**Manifold material**  
Aluminium

**Relief valve adjustment type \***  
Screw = S  
Knob = K

**Relief valve adjustment pressure range \***  
10-70 bar = 0  
35-140 bar = 1  
105-210 bar = 2  
175-350 bar = 3  
35-350 bar (knob reg.) = 3

**Solenoid valve coil connection \***  
1 = DIN 43650  
ISO 4400

**Solenoid valve coil voltage \***  
OB = 12V DC  
OC = 24V DC  
OD = 48V DC  
OU = 110V RAC  
AH = 230V RAC

**Solenoid valve manual override \***  
E0 = Without  
EP = Push (NA)  
EV = Screw (NC)  
EG = Push and twist (NA)

**Solenoid valve spool type \***  
NA = Normally open  
NC = Normally closed

\* Omit if not required. For example, to order the product without the solenoid cartridge valve, omit the coil connection, coil voltage and manual override options: H17129A-S2.  
The manifold will still be provided with the corresponding cavity.