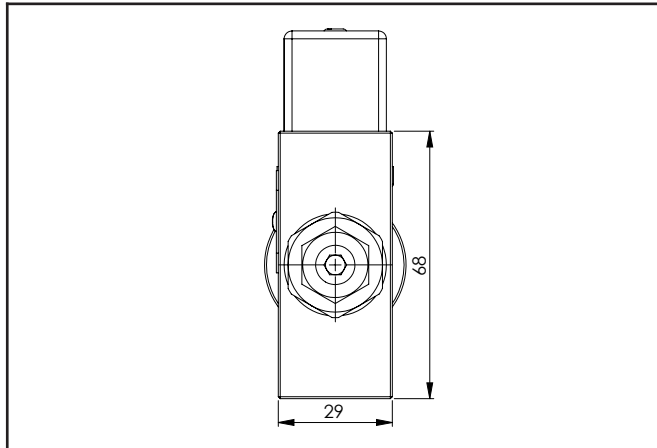
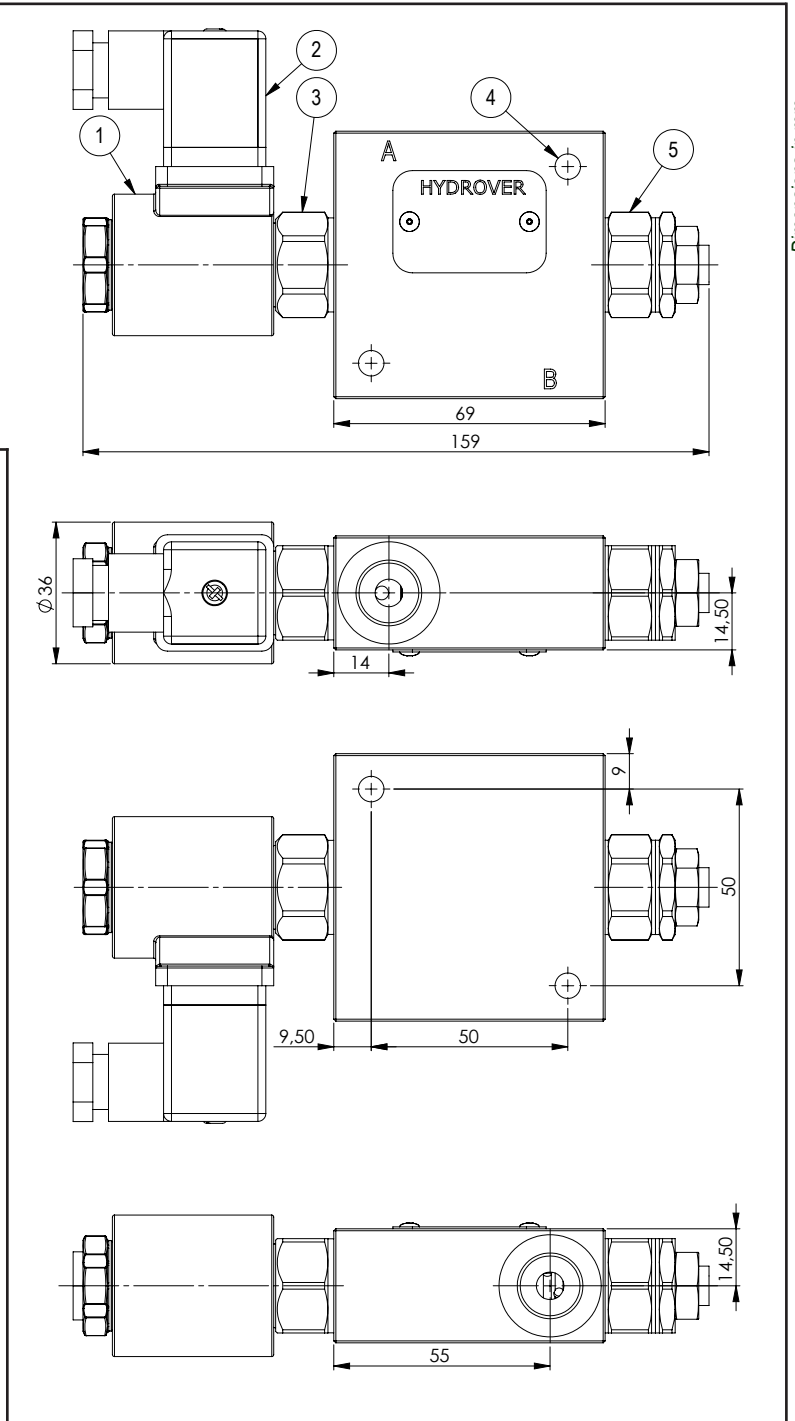
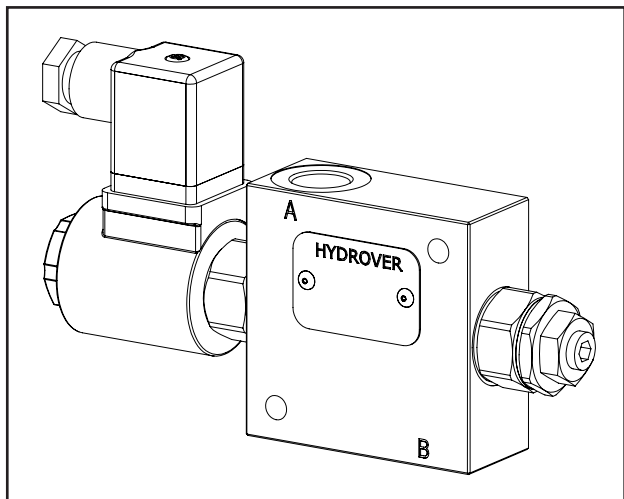


Inline flow restrictor electrically enabled - A-B 3/8" G **H17130**



Technical data	
Max. pressure	250 bar
Max. flow	40 lpm *
Weight	0,77 Kg
Manifold material	Aluminium
A / B ports	3/8" G



Dimensions in mm

N°	Description	Q.ty
1	Bosch Rexroth coil <b>D36</b> - CLASS H DIN 43650 ISO 4400 *	1
2	Connector DIN 43650 ISO 4400	1
3	Bosch Rexroth solenoid valve <b>VEI-16-08A-NC OD.15.05.18-Y-000000</b> (normally closed) o <b>VEI-16-08A-NA OD.15.06.18-Y-000000</b> (normally open) depicted without manual override *	1
4	Ø 6,5 through hole for mounting	2
5	Bosch Rexroth bidirectional flow restrictor <b>OD.21.01-X-56</b> * depicted with screw adjustment	1

\* for complete technical information, click on the blue link or go to the components section at the end of the catalogue

Ordering code

H 1 7 1 3 0 A - \_ Q - \_ - - - - -

**Hydrover product**

**Product series**  
17 series - Inline valves

**Product ID**

**Manifold material**  
Aluminium

**Flow restrictor adjustment type \***  
Screw = S

**Solenoid valve spool type \***

Normally open	= NA
Normally closed	= NC
Normally open double lock	= 2A
Normally closed double lock	= 2C

**Solenoid valve coil connection \***

1 = DIN 43650  
ISO 4400

**Solenoid valve coil voltage \***

OB = 12V DC  
OC = 24V DC  
OD = 48V DC  
OU = 110V RAC  
AH = 230V RAC

**Solenoid valve manual override \***

E0 = Without  
EP = Push (NA, 2A)  
EV = Screw (NC, 2C)  
EG = Push and twist (NA, 2A)

\* Omit if not required. For example, to order the product without the solenoid cartridge valve, omit the coil connection, coil voltage and manual override options: H17129A-SQ.  
The manifold will still be provided with the corresponding cavity.

