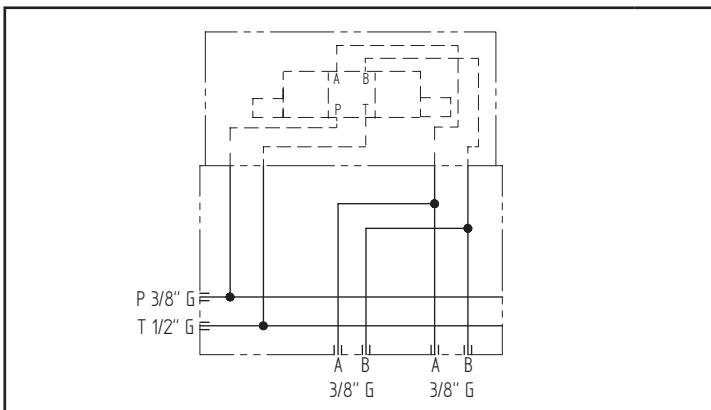
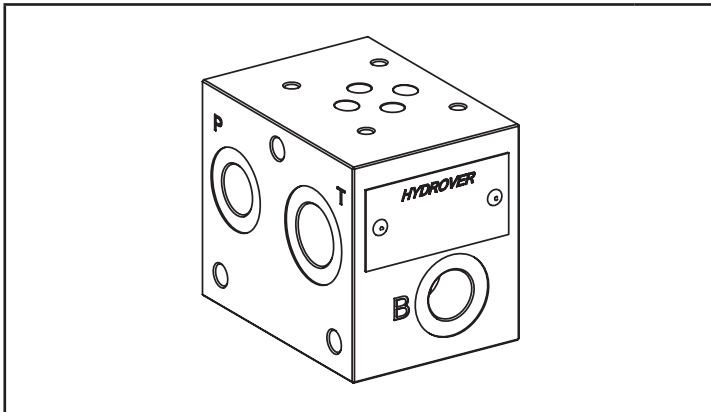


Dimensions in mm

Technical data

Max. pressure	250 bar
Weight	0,8 Kg
Manifold material	Aluminum
A / B / P ports	3/8" G
T port	1/2" G



N°	Description	Q.ty
1	M8x15 thread for mounting	4
2	Ø 11,5 through hole with 1/4" G thread (P-T)	2
3	M8x15 for tie rod	3

Ordering code

H	3	1	0	0	A	1	P
---	---	---	---	---	---	---	---

Hydrover product

Product series

31 series - Modular Cetop 3 subplates for parallel circuits

Number of Cetop 3 stations
1 station

Manifold material
Aluminum

Product ID

Note: to add stations use the subplates **H3101**, **H3105** and **H3102**.