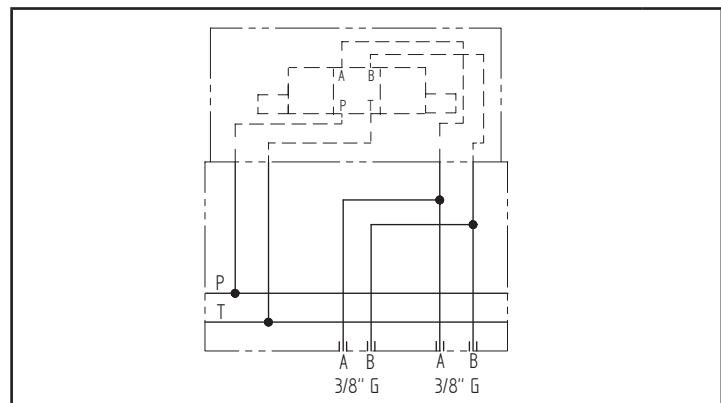
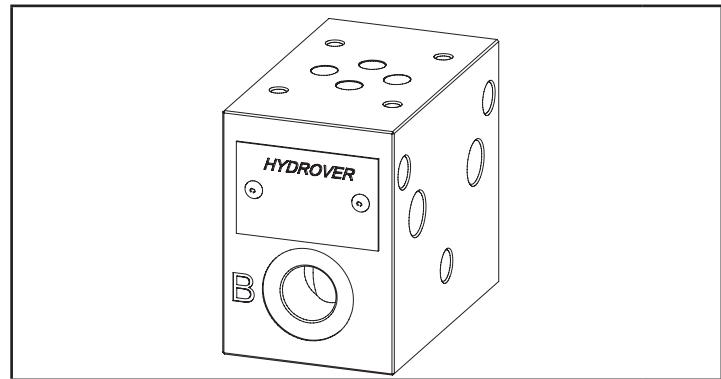
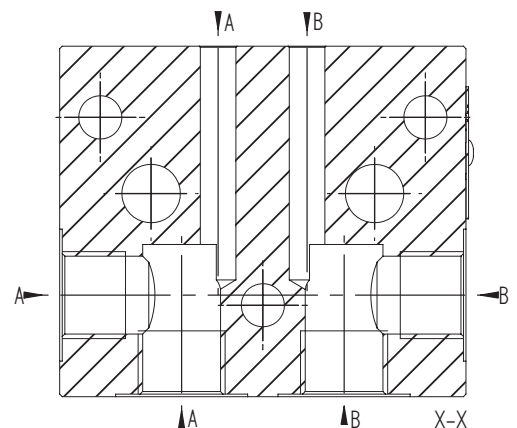
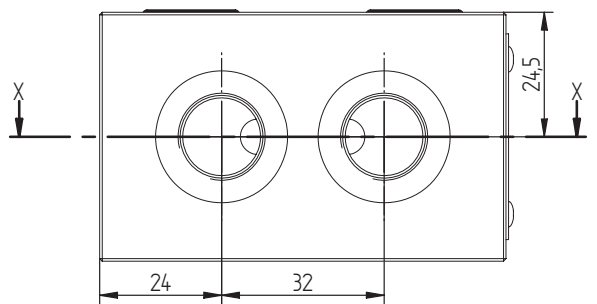
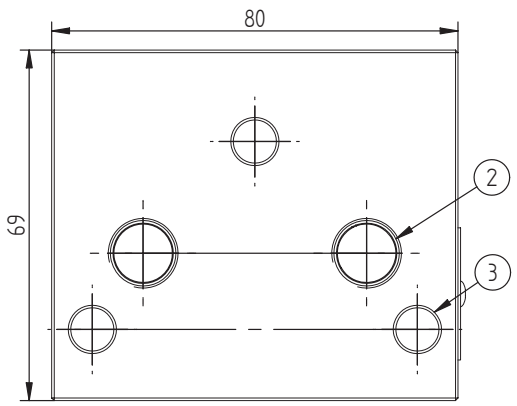
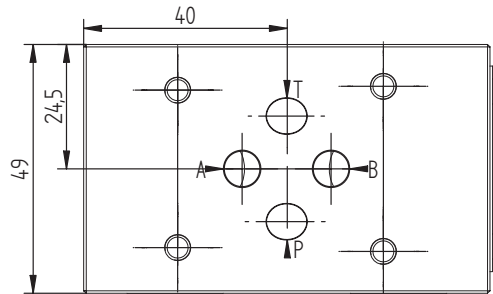
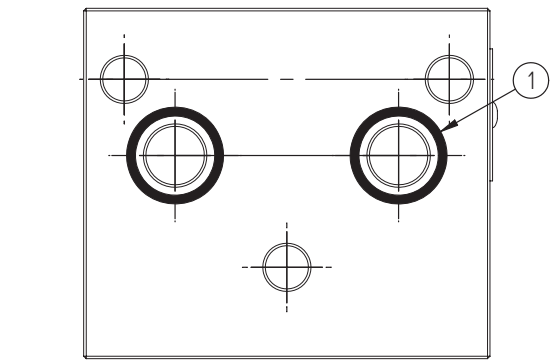


Technical data	
Max. pressure	250 bar
Weight	0,7 Kg
Manifold material	Aluminum
A / B ports	3/8" G



N°	Description	Q.ty
1	OR 2062 i. Ø 15,60 cross section 1,78 (P-T)	2
2	Ø 11,5 through hole with 1/4" G thread (P-T)	2
3	Ø 8,5 through hole for tie rod	3



Dimensions in mm

H3101

Ordering code

H	3	1	0	1	A
---	---	---	---	---	---

Hydrover product**Product series**

31 series - Modular Cetop 3 subplates for parallel circuits

Manifold material
Aluminum**Product ID**