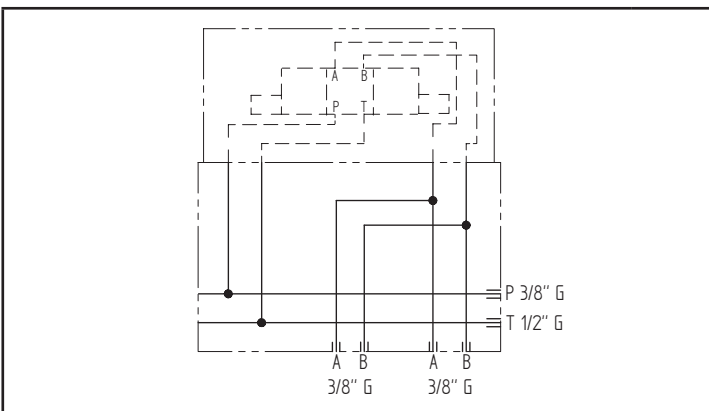
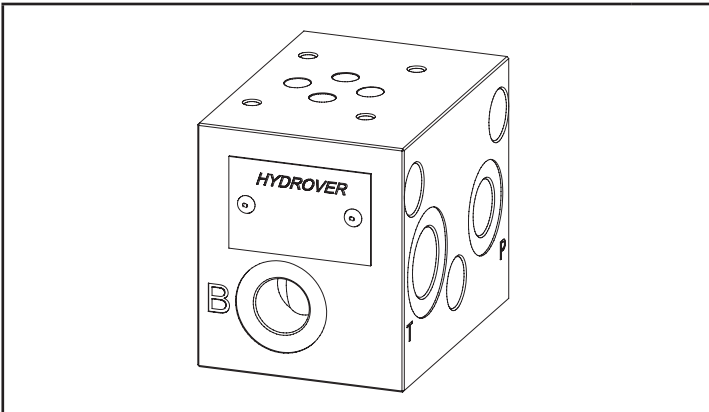


Dimensions in mm

Technical data

Max. pressure	250 bar
Weight	0,8 Kg
Manifold material	Aluminum
A / B / P ports	3/8" G
T port	1/2" G



N°	Description	Q.ty
1	OR 2062 i. Ø 15,60 cross section 1,78 (P-T)	2
2	Ø 11,5 through hole (P-T)	2
3	Ø 8,5 through hole with counterbore for tie rod	3
4	M8x15 thread for mounting	1

H3102

Ordering code

H	3	1	0	2	A
---	---	---	---	---	---

Hydrover product**Product series**

31 series - Modular Cetop 3 subplates for parallel circuits

Manifold material
Aluminum**Product ID**