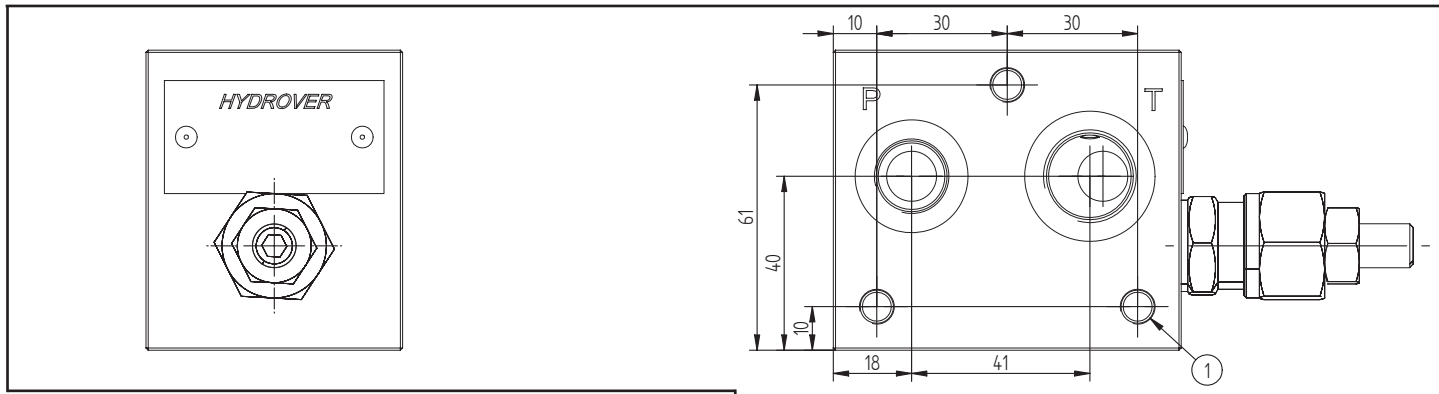
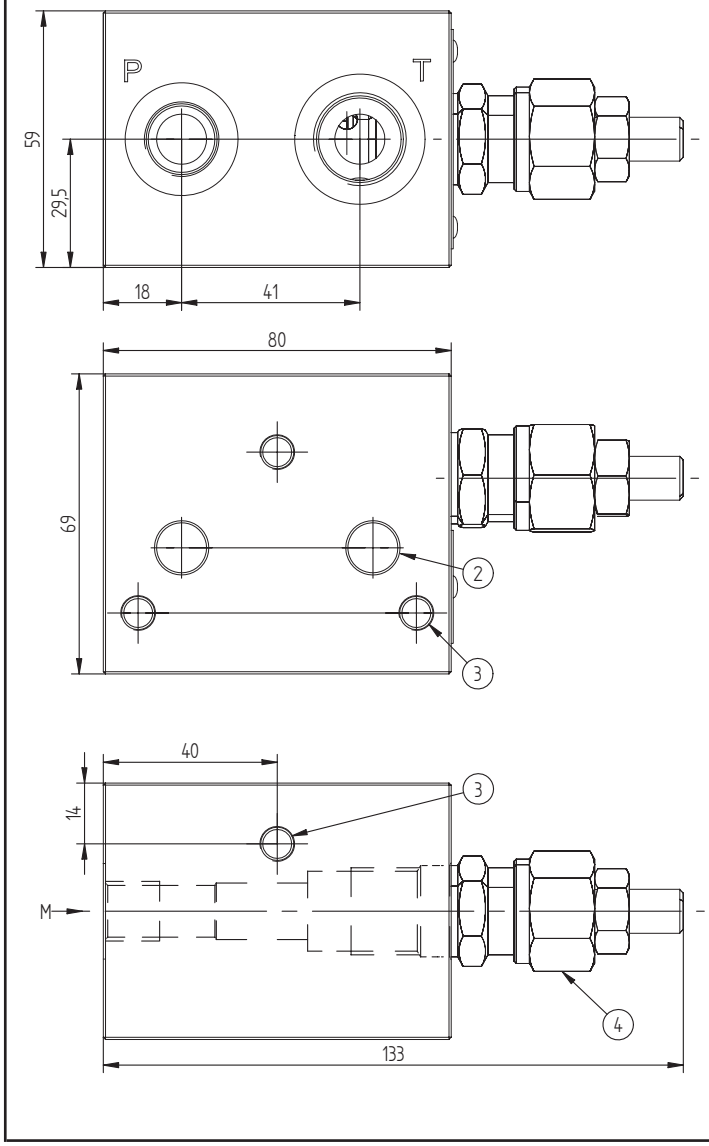
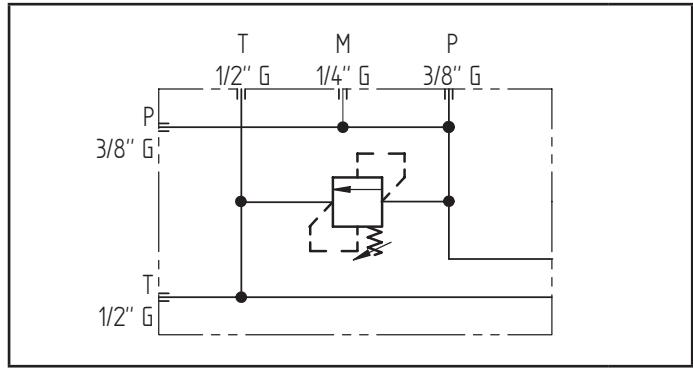
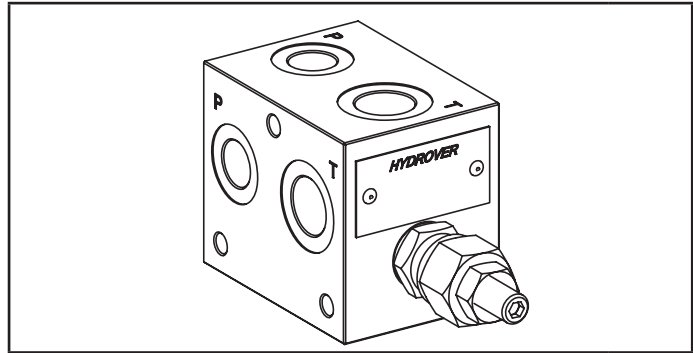


Inlet plate with relief valve / crossing and top P-T ports **H3103**



Technical data	
Max. pressure	250 bar
Max. flow	30 lpm
Weight	1 Kg
Manifold material	Aluminum
M port	1/4" G
P port	3/8" G
T port	1/2" G



Dimensions in mm

N°	Description	Q.ty
1	M8x15 thread for mounting	4
2	Ø 11,5 through hole with 1/4" G thread (P-T)	2
3	M8x15 for tie rod	3
4	Bosch Rexroth relief valve VS-30 * depicted with screw adjustment	1

* for complete technical information, click on the blue link or go to the components section at the end of the catalogue

Ordering code

H	3	1	0	3	A	-	-	-
---	---	---	---	---	---	---	---	---

Hydrover product

Product series

31 series - Modular Cetop 3 subplates for parallel circuits

Product ID

Relief valve adjustment pressure range *

- 0 = 5-50 bar
- 1 = 30-100 bar
- 2 = 50-210 bar
- 3 = 100-350 bar

Relief valve adjustment type *

- S = Screw
- K = Knob

Manifold material
Aluminum

* Omit if not required. To order the product without the pressure relief cartridge valve, omit the pressure range and the adjustment type options: H3103A.
The manifold will still be provided with the corresponding cavity.

Note: to add stations use the subplates **H3101**, **H3105** and **H3102**.