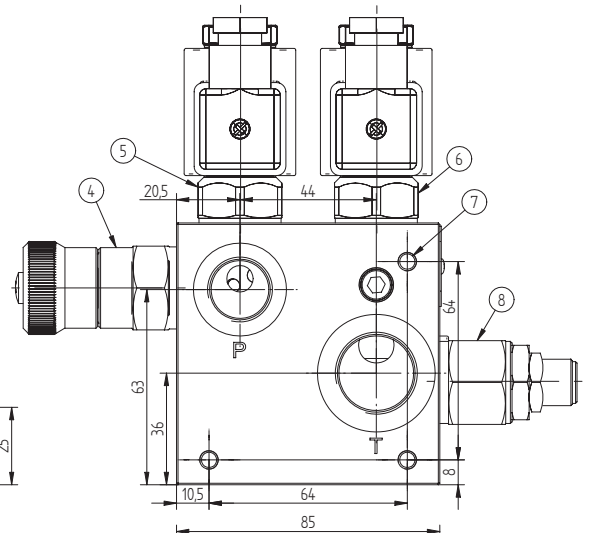
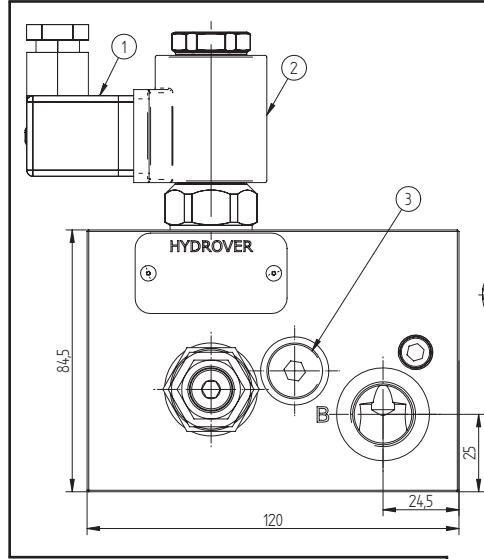
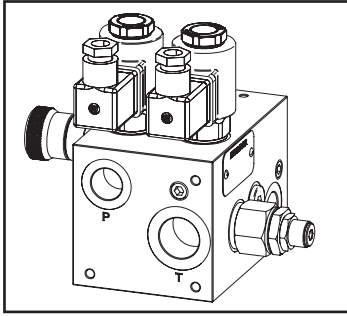


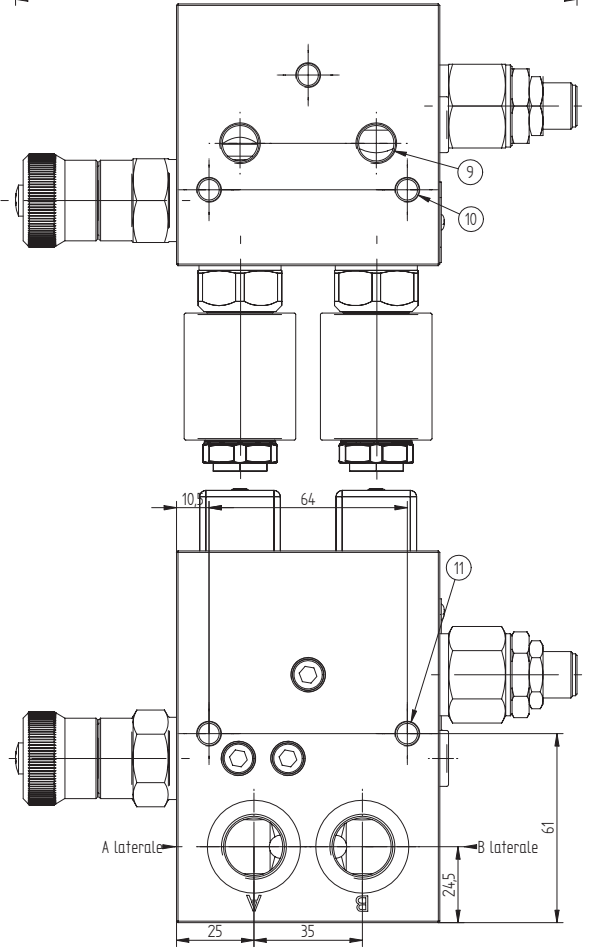
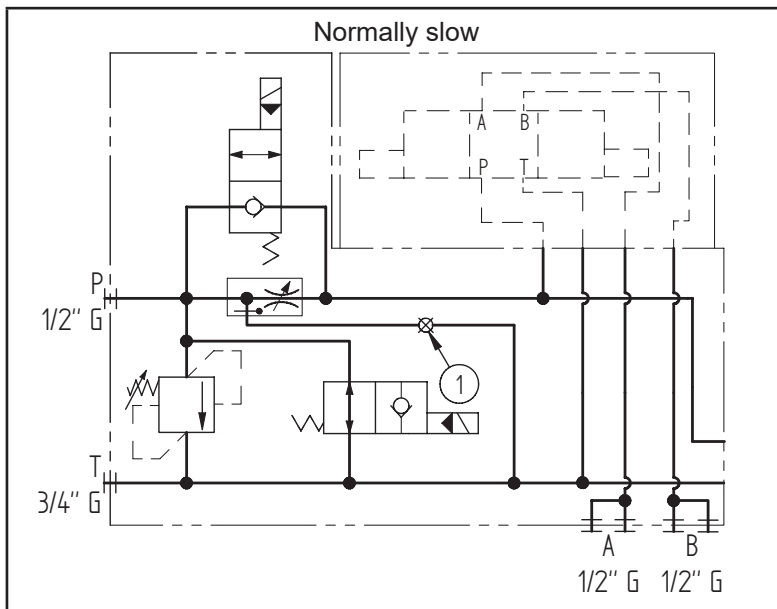
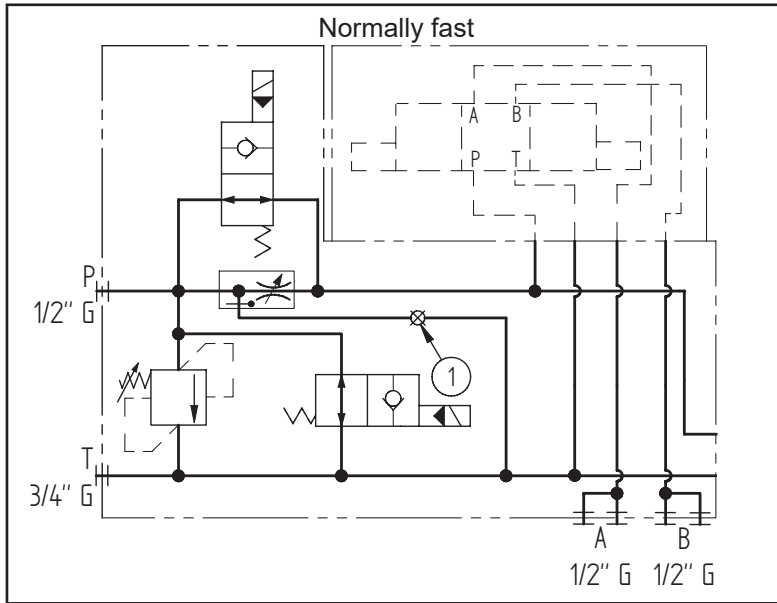
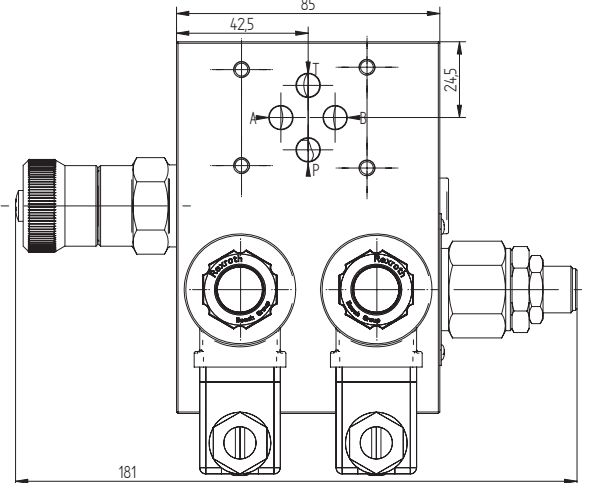
High flow rate inlet subplate with 1 Cetop 3 station / extensible / relief and bypass valve
2 or 3 way flow regulation / fast slow speed / side and back A-B ports / crossing P-T ports

H3106



Dimensions in mm

Technical data	
Max. pressure	250 bar
Inlet max. flow	60 lt/1 *
Reg. max. flow	30 lt/1 *
Manifold material	Aluminium
T port	3/4" G
A / B / P ports	1/2" G
Weight	3,1 Kg



Ordering code

H 3 1 0 6 A _ - _ - - _ - - - _ - - -

Hydrover product

Product series

31 series - Modular Cetop 3 subplates for parallel circuits

Product ID

Manifold material

Aluminium

2 or 3 way compensated flow regulation

2 way = 2
3 way = 3

Relief valve adjustment type *

Screw = S

Relief valve adjustment pressure range *

0 = 10-60 bar
1 = 40-110 bar
2 = 110-220 bar
3 = 220-260 bar

Solenoid valves coil connection *

1 = DIN 43650
ISO 4400

Solenoid valve coil voltage *

OB = 12V DC
OC = 24V DC
OD = 48V DC
OU = 110V RAC
AH = 230V RAC

Bypass solenoid valve manual override *

E0 = Without
EP = Push
EG = Push and twist

Slow or fast in normal position *

NL = Normally slow
NR = Normally fast

N°	Description	Q.ty
1	Connector DIN 43650 ISO 4400	2
2	Bosch Rexroth coil D36 - CLASS H DIN 43650 ISO 4400 **	2
3	1/4" G cylindrical plug - For the cavity where there is the 1/8" DIN 906 conical plug to switch from 2 to 3 way	1
4	Compensated flow regulator 04.04.02.40.85.40 - VRFD-10A-M-40 **	1
5	Bosch Rexroth solenoid valve for fast slow function OD.15.05.36.A.000000 * (normally slow) or OD.15.06.36.A.000000 * (normally fast)	1
6	Bosch Rexroth bypass solenoid valve OD.15.06.36-Y-000000 **	1
7	M6x14 thread for mounting	3
8	Bosch Rexroth relief valve VMD1.070 **	1
9	Ø 11,5 through hole with 1/4" G thread (P-T)	2
10	M8x15 for tie rod	3
11	M8x15 thread for mounting	2

** for complete technical information, click on the blue link or go to the components section at the end of the catalogue

* Omit if not required. For example, to order the product without the fast slow solenoid valve, omit the variable "Slow or fast in normal position": H3106A3-S2-E0-OC1. The manifold will still be provided with the corresponding cavity. Valves for fast slow, bypass and relief use the CA-10A-2N cavity (long plug code **0489A2008500000**). To inhibit a function, replace the related valve options with TL: eg H3106A3-S2-TL-TL.

Note: to add stations use the subplates **H3108** and **H3109**.