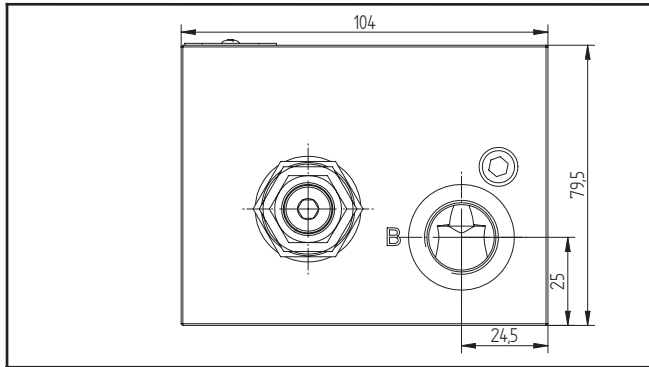
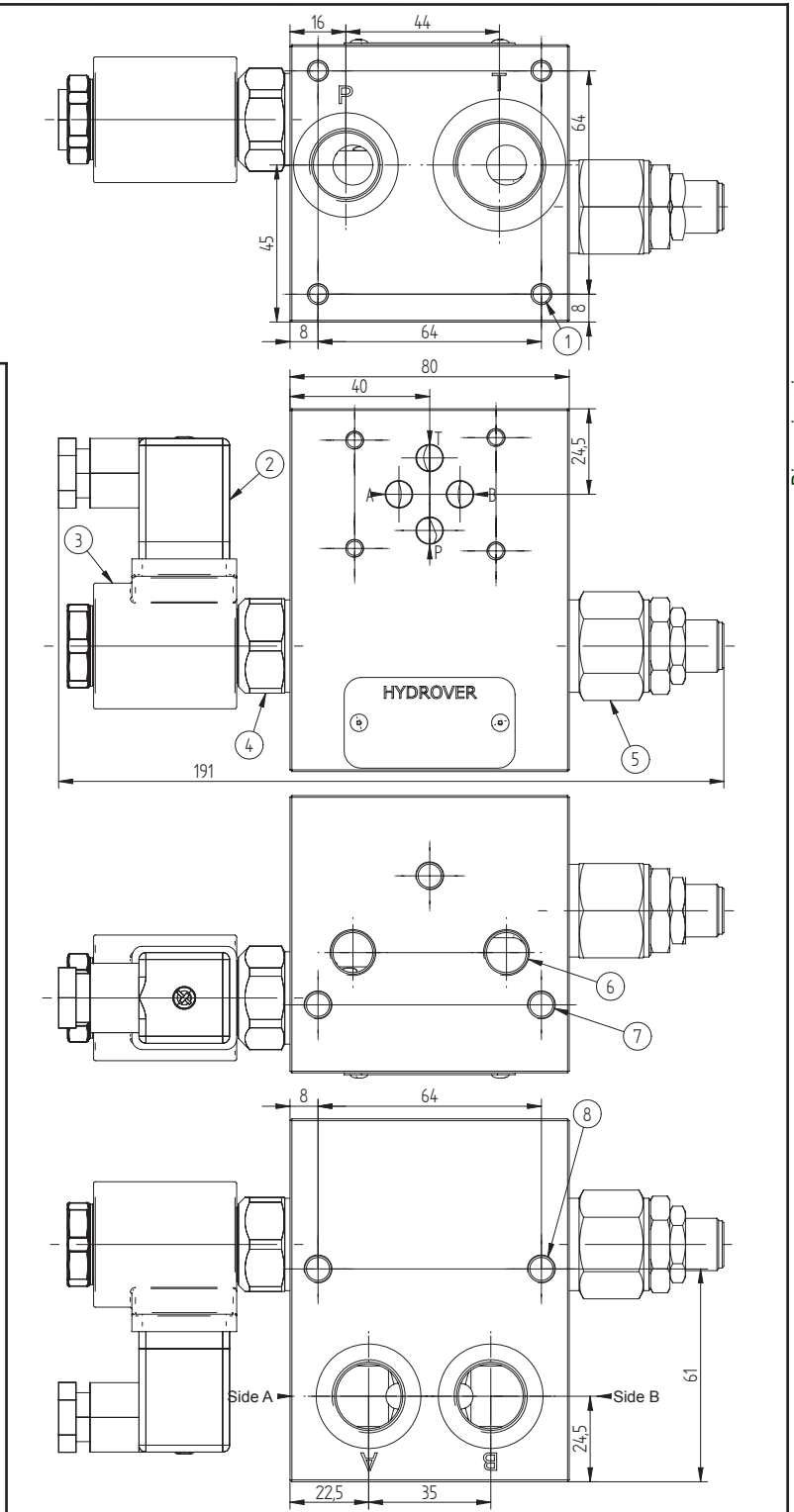
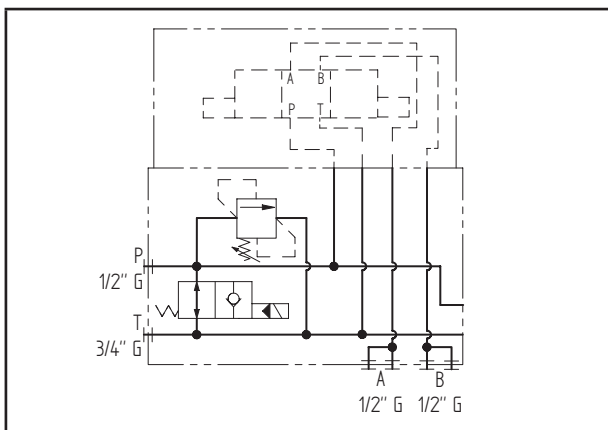
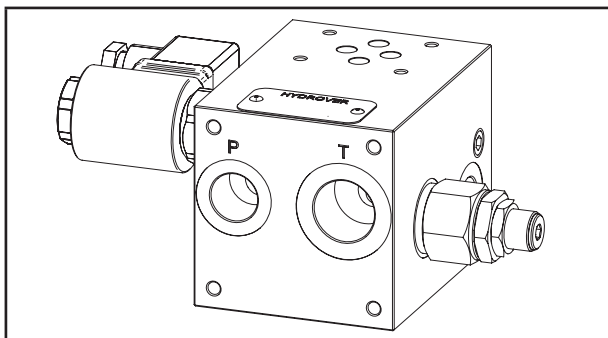


High flow rate inlet subplate with 1 Cetop 3 station / extensible relief and bypass valve / side and back A-B ports / crossing P-T ports

**H3107**



Technical data	
Max. pressure	250 bar
Max. flow	70 lpm
Weight	2,1 Kg
Manifold material	Aluminum
A / B / P ports	1/2" G
T port	3/4" G



Dimensions in mm

N°	Description	Q.ty
1	M6x14 thread for mounting	4
2	Connector DIN 43650 ISO 4400	1
3	Bosch Rexroth coil <b>D36</b> - CLASS H DIN 43650 ISO 4400 *	1
4	Bosch Rexroth bypass solenoid valve <b>VEI-16-10A-NA OD.15.06.36-Y-00000</b> *	1
5	Bosch Rexroth relief valve <b>VMD1.070</b> *	1
6	Ø 11,5 through hole with 1/4" G thread (P-T)	2
7	M8x15 for tie rod	3
8	M8x15 thread for mounting	2

\* for complete technical information, click on the blue link or go to the components section at the end of the catalogue

Ordering code

H 3 1 0 7 A - - - - -

**Hydrover product**

**Product series**

31 series - Modular Cetop 3 subplates for parallel circuits

**Product ID**

**Manifold material**

Aluminum

**Relief valve adjustment type \***

Screw

= S

**Relief valve adjustment pressure range \***

10-60 bar

= 0

40-110 bar

= 1

110-220 bar

= 2

220-260 bar

= 3

**Bypass solenoid valve coil connection \***

1 = DIN 43650 ISO 4400

**Solenoid valve coil voltage \***

OB = 12V DC

OC = 24V DC

OD = 48V DC

OU = 110V RAC

AH = 230V RAC

**Bypass solenoid valve manual override \***

E0 = Without

EP = Push

EG = Push and twist

\* Omit if not required. For example, to order the product without the bypass solenoid cartridge valve, omit the coil connection, coil voltage and manual override options: H3107A-S2.  
The manifold will still be provided with the corresponding cavity.  
To inhibit a function, replace the related valve options with TL: eg H3107A-S2-TL.  
In the cavity it will be mounted a long plug.

Valve	Cavity	Long plug code
Solenoid valve VEI-16-10A-NA OD.15.06.36-Y-00000	CA-10A-2N	<b>0489A200850000</b>
Pressure relief valve VMD1.070	CA-10A-2N	<b>0489A200850000</b>

Note: to add stations use the subplates **H3108** and **H3109**.