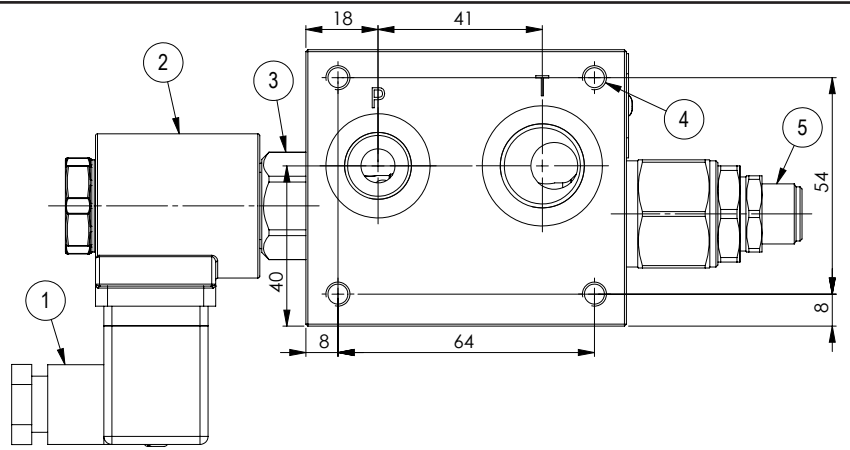
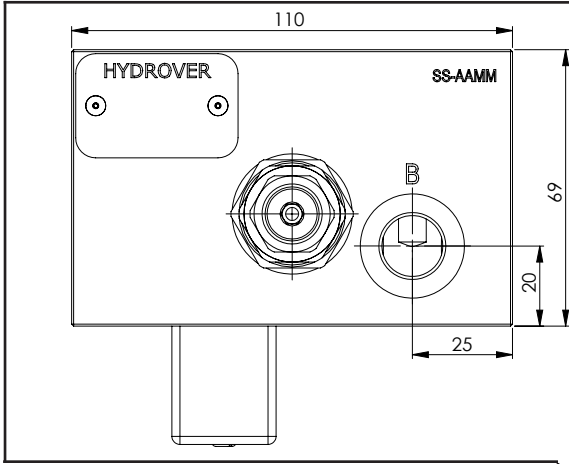
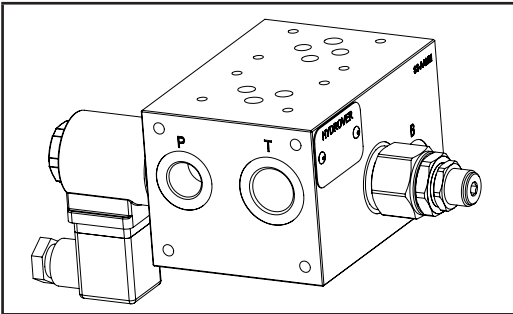


Inlet subplate with 1 Cetop 3 station for 2 or 3 ways flow regulator, 1 Cetop 3 station for directional valve / relief and bypass valves / side and back A-B ports / crossing P-T ports

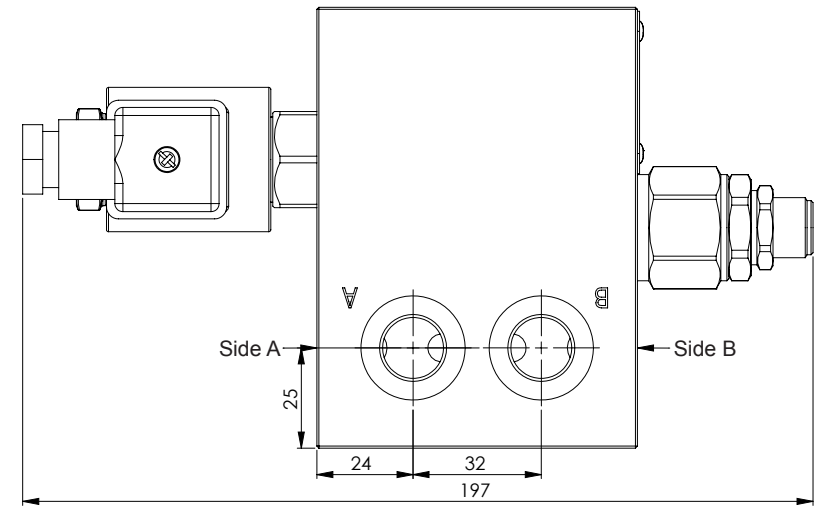
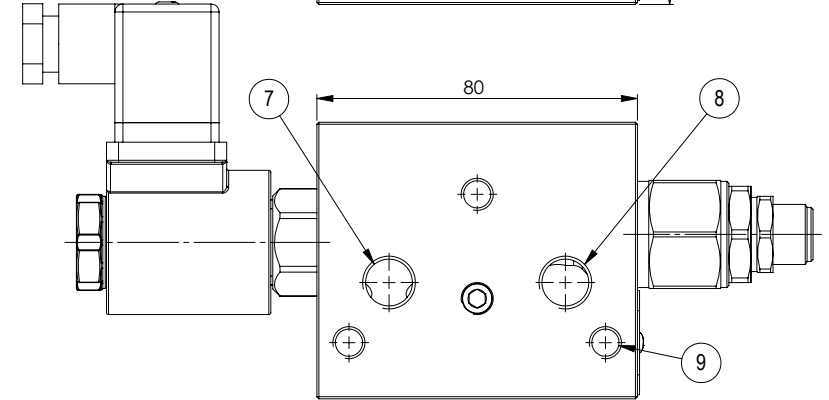
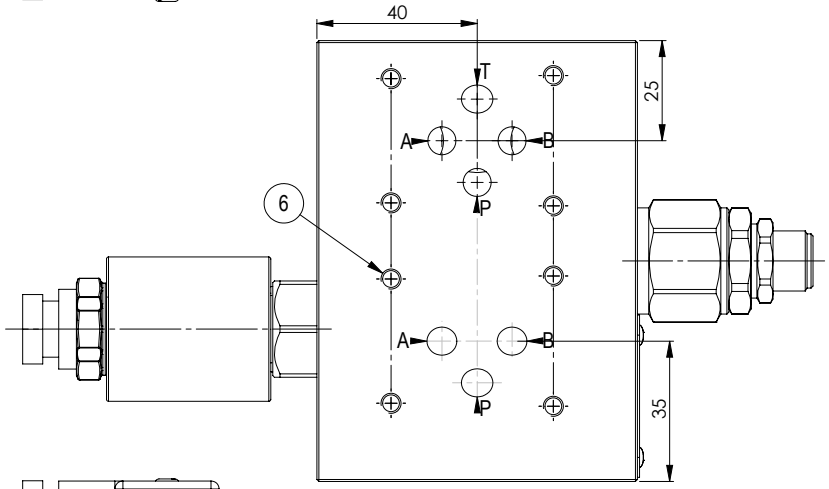
H3110



Technical data	
Max. pressure	250 bar
Max. flow	40 lpm
Weight	2 Kg
Manifold material	Aluminum
M port	1/8" G
A / B / P ports	3/8" G
T port	1/2" G



Note: to add stations use the subplates **H3101**, **H3105** and **H3102**.



Dimensions in mm

Ordering code

H 3 1 1 0 A - - - - -

Hydrover product

Product series

31 series - Modular Cetop 3 subplates for parallel circuits

Product ID

Manifold material

Aluminum

Relief valve adjustment type *

Screw

= S

Relief valve adjustment pressure range *

25-120 bar

= 1

40-200 bar

= 2

200-350 bar

= 3

Bypass solenoid valve coil connection *

1 = DIN 43650 ISO 4400

Solenoid valve coil voltage *

OB = 12V DC

OC = 24V DC

OD = 48V DC

OU = 110V RAC

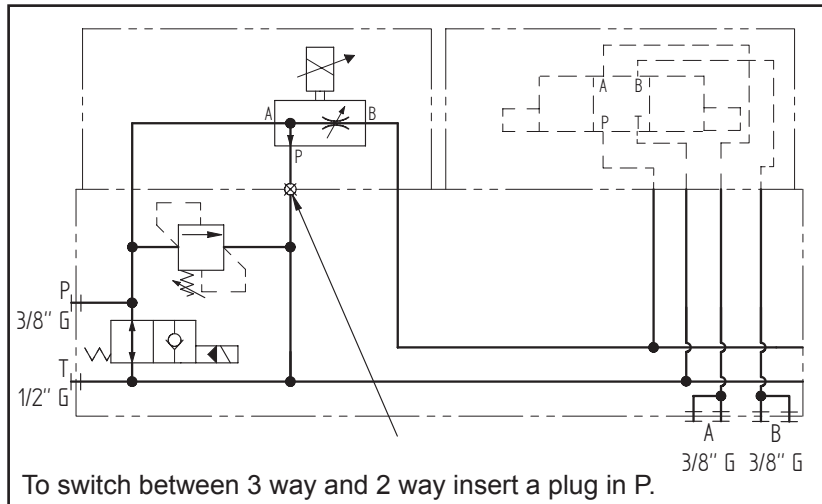
AH = 230V RAC

Bypass solenoid valve manual override *

E0 = Without

EP = Push

EG = Push and twist



* Omit if not required. For example, to order the product without the bypass solenoid cartridge valve, omit the coil connection, coil voltage and manual override options: H3110A-S2. The manifold will still be provided with the corresponding cavity.

To inhibit a function, replace the related valve options with TL: eg H3110A-S2-TL. In the cavity it will be mounted a long plug.

N°	Description	Q.ty
1	Connector DIN 43650 ISO 4400	1
2	Bosch Rexroth coil D36 - CLASS H DIN 43650 ISO 4400 **	1
3	Bosch Rexroth bypass solenoid valve VEI-16-08A-NA OD.15.06.18-Y-00000 **	1
4	M6x14 thread for mounting	4
5	Bosch Rexroth relief valve VMD1.040 **	1
6	Station for Cetop 3 proportional flow regulator A in B unload in P - To order separately	1
7	Ø 8,5 through hole with 1/4" G thread (P)	1
8	Ø 11,5 through hole with 1/4" G thread (T)	1
9	M8x15 for tie rod	3

** for complete technical information, click on the blue link or go to the components section at the end of the catalogue