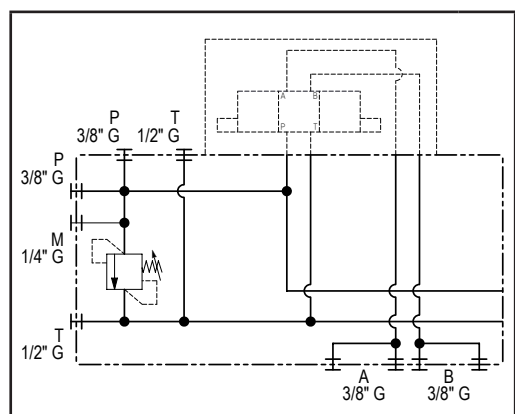
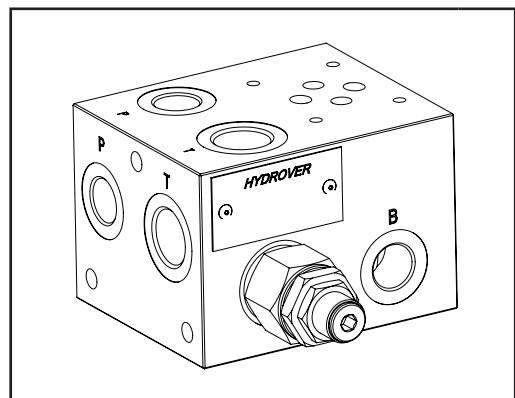


Dimensions in mm

Technical data

Max. pressure	250 bar
Max. flow	40 lpm
Weight	1,5 Kg
Manifold material	Aluminum
M port	1/4" G
P/A/B ports	3/8" G
T port	1/2" G



N°	Description	Q.ty
1	M8x15 thread for mounting	4
2	Ø 11,5 through hole with 1/4" G thread (P-T)	2
3	M8x15 for tie rod	3
4	Bosch Rexroth relief valve VMD1.070 *	1

* for complete technical information, click on the blue link or go to the components section at the end of the catalogue

Ordering code

H	3	1	1	2	A	-	-	-
---	---	---	---	---	---	---	---	---

Hydrover product

Product series

31 series - Modular Cetop 3 subplates for parallel circuits

Product ID

Relief valve adjustment pressure range *

- 0 = 10-60 bar
- 1 = 40-110 bar
- 2 = 110-220 bar
- 3 = 220-260 bar

Relief valve adjustment type *

S = Screw

Manifold material
Aluminum

* Omit if not required. To order the product without the pressure relief cartridge valve, omit the pressure range and the adjustment type options: H3112A.
The manifold will still be provided with the corresponding cavity.
To inhibit the relief valve, replace the valve options with TL: H3112A-TL.
In the cavity it will be mounted a long plug.

Valve	Cavity	Long plug code
Pressure relief valve VMD1.070	CA-10A-2N	0489A2008500000

Note: to add stations use the subplates **H3101**, **H3105** and **H3102**.