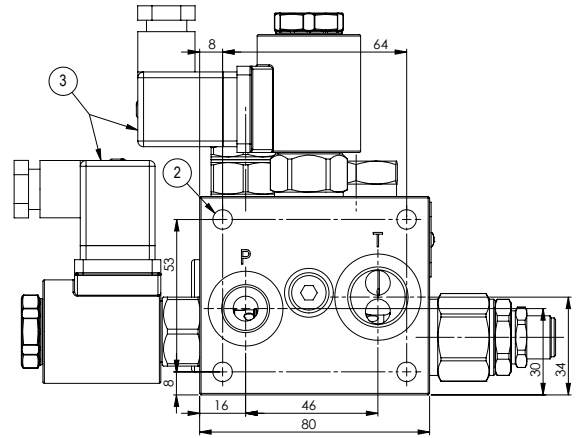
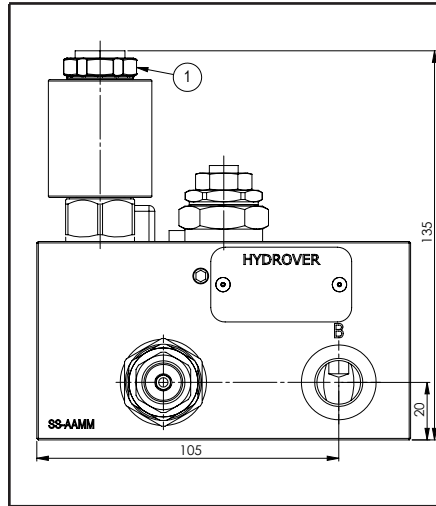


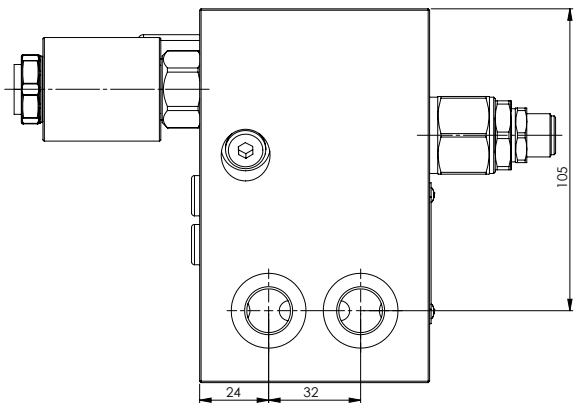
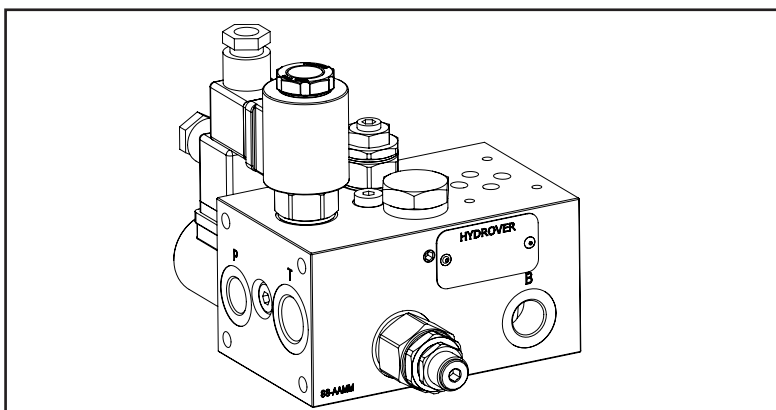
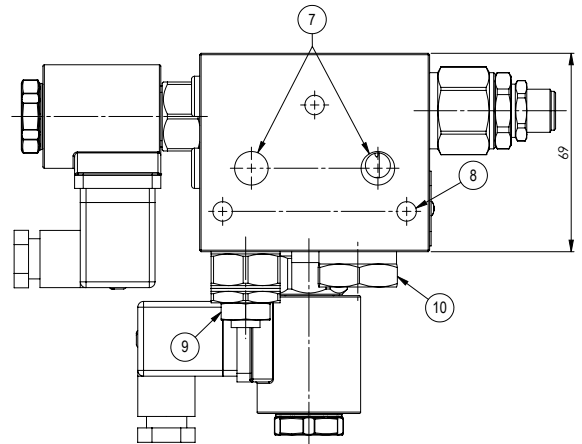
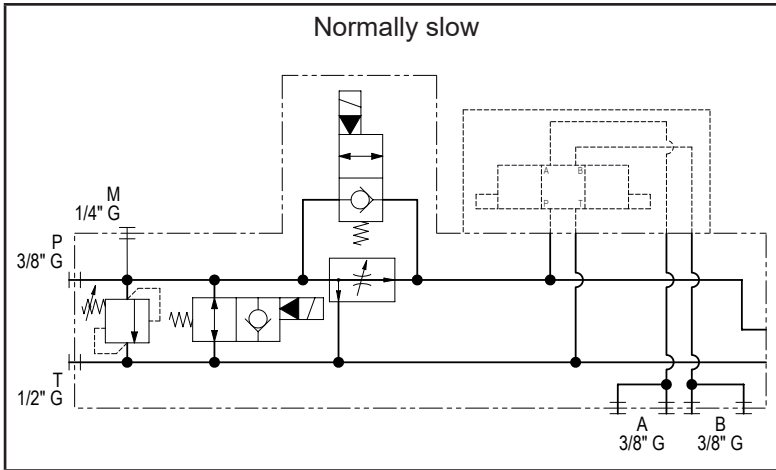
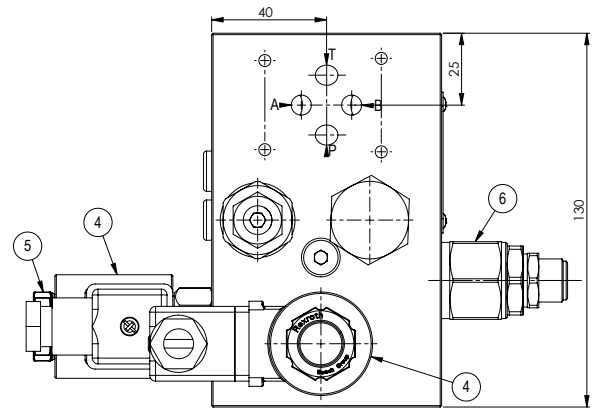
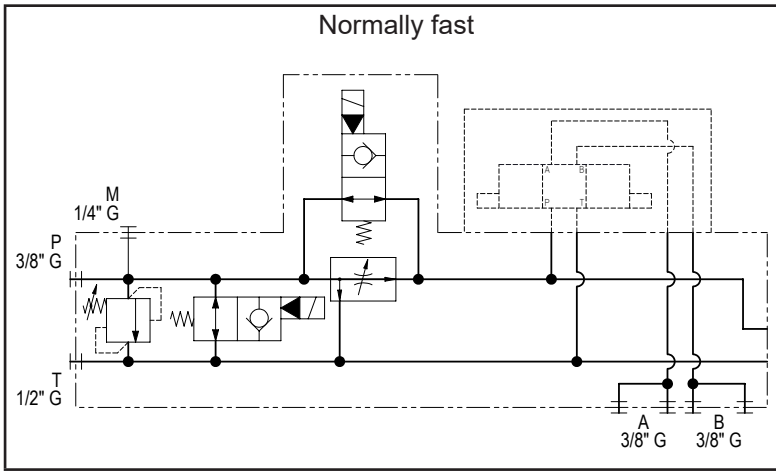
Inlet subplate with 1 Cetop 3 station / extensible / relief and bypass valve
3 way flow regulation / fast slow speed / side and back A-B ports / crossing P-T ports

H3113

Technical data	
Max. pressure	250 bar
Inlet max. flow	40 lt/1
Reg. max. flow	30 lt/1
Manifold material	Aluminium
M port	1/8" G
T port	1/2" G
A / B / P ports	3/8" G
Weight	2,4 Kg



Dimensions in mm



Ordering code

H 3 1 1 3 A _ _ _ - _ - - _ _ - _ _

Hydrover product

Product series
31 series - Modular Cetop 3 subplates for parallel circuits

Product ID

Manifold material
Aluminium

Compensator spring
4 bar (standard) = 4
12 bar = 1

Restrictor adjustment type *
Screw = S
Knob = K

Relief valve adjustment type *
Screw = S

Solenoid valves coil connection *
1 = DIN 43650
ISO 4400

Solenoid valve coil voltage *
OB = 12V DC
OC = 24V DC
OD = 48V DC
OU = 110V RAC
AH = 230V RAC

Bypass solenoid valve manual override *
E0 = Without
EP = Push
EG = Push and twist

Slow or fast in normal position *
NL = Normally slow
NR = Normally fast

Relief valve adjustment pressure range *
1 = 25-120 bar
2 = 40-200 bar
3 = 200-350 bar

N°	Description	Q.ty
1	Bosch Rexroth solenoid valve for fast slow function VEI-16-08A-NC OD.15.05.18-Y-000000 (normally slow) or VEI-16-08A-NA OD.15.06.18.A.000000 (normally fast) **	1
2	M8x12 thread for mounting	4
3	Connector DIN 43650 ISO 4400	2
4	Bosch Rexroth coil D36 - CLASS H DIN 43650 ISO 4400 **	2
5	Bosch Rexroth bypass solenoid valve VEI-16-08A-NA OD.15.06.18-Y-000000 **	1
6	Bosch Rexroth relief valve VMD1.040 **	1
7	Ø 11,5 through hole with 1/4" G thread (P-T)	2
8	M8x15 for tie rod	3
9	Bosch Rexroth flow restrictor OD.21.01-X-56 ** depicted with screw adjustment	2
10	Compensator	1

** for complete technical information, click on the blue link or go to the components section at the end of the catalogue

* Omit if not required. For example, to order the product without the fast slow solenoid valve, omit the variable "Slow or fast in normal position": H3113A4SS2-E0-OC1. The manifold will still be provided with the corresponding cavity. Valves for fast slow and bypass use CA-08A-2N cavity (long plug code [0489A2005600000](#)), and relief CA-10A-2N cavity (long plug code [0489A2008500000](#)). To inhibit a function, replace the related valve options with TL: eg H3106A3-S2-TL-TL.

Note: to add stations use the subplates [H3101](#), [H3105](#) and [H3102](#).