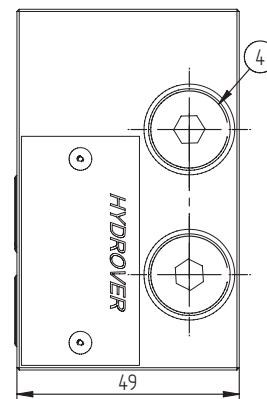
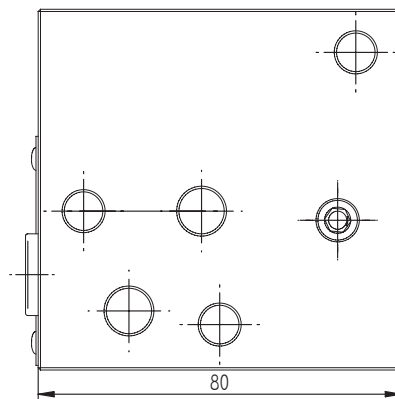
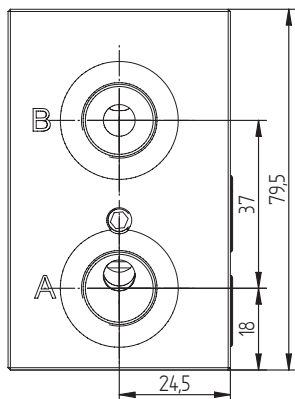
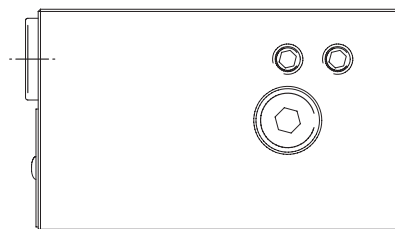
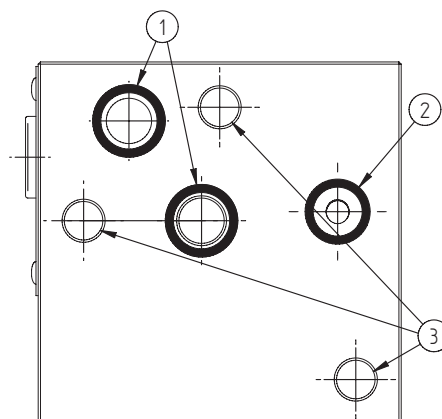
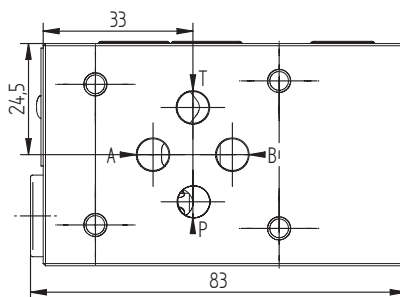
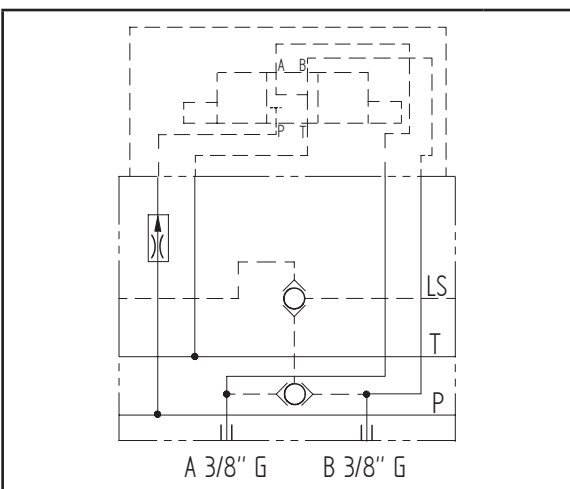
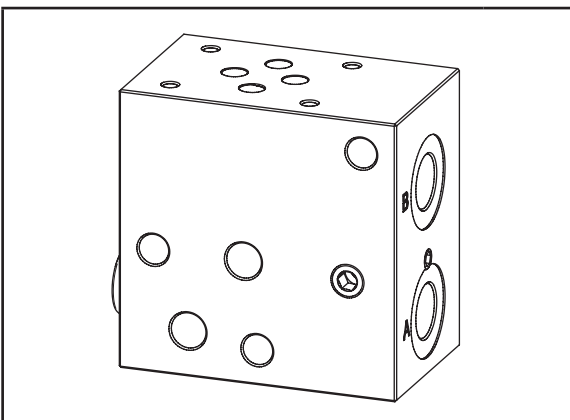


Intermediate subplate with 2 way compensated flow regulator
fixed flow rate from 1 to 10 lpm and 1 Cetop 3 station / side A-B ports

H3201



Technical data	
Max. pressure	210 bar
Weight	0,9 Kg
Manifold material	Aluminum
A / B ports	3/8" G



Dimensions in mm

N°	Description	Q.ty
1	OR 2050 i. Ø 12,42 cross section 1,78 (P-T)	2
2	OR 2043 i. Ø 10,82 cross section 1,78 (LS)	1
3	Ø 8,5 through hole for tie rod	3
4	2 way compensated flow regulator Bosch Rexroth 0T.F1.00.09-Z *	1

* for complete technical information, click on the blue link or go to the components section at the end of the catalog

Ordering code

H	3	2	0	1	A	-	_	_
---	---	---	---	---	---	---	---	---

Hydrover product

Product series

32 series - Load sensing modular Cetop 3 subplates for parallel circuits

Product ID

Regulated flow ± 10% at 100 bar

With regulator to drill

00 =	
01 =	1 lpm
02 =	2 lpm
03 =	3 lpm
04 =	4 lpm
05 =	5 lpm
06 =	6 lpm
07 =	7 lpm
08 =	8 lpm
09 =	9 lpm
10 =	10 lpm

Manifold material

Aluminum