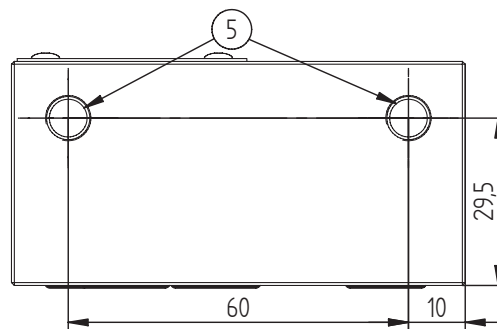
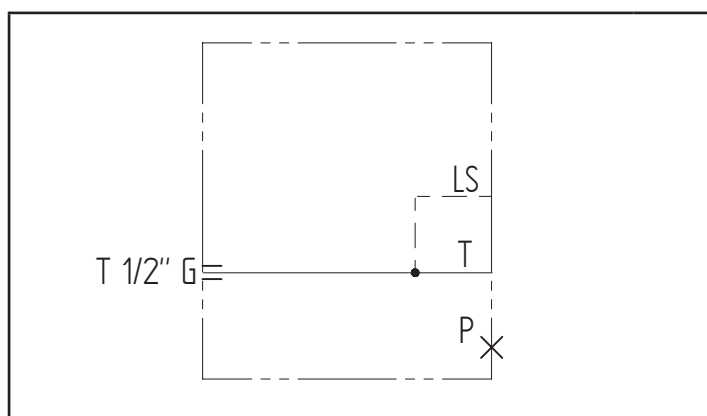
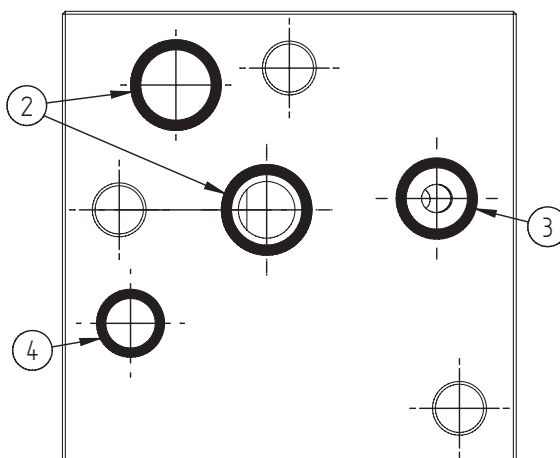
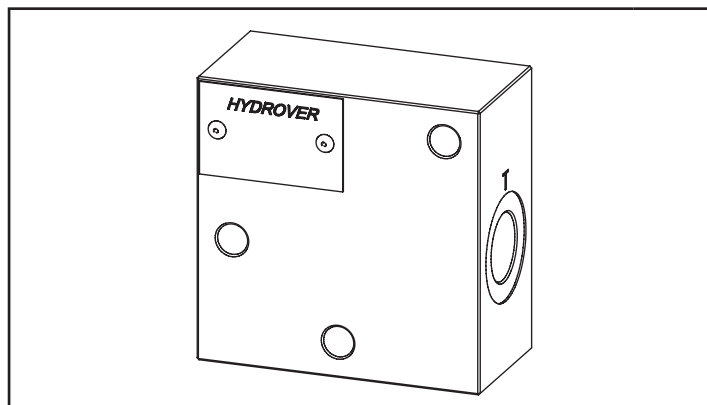


Technical data	
Max. pressure	250 bar
Weight	0,7 Kg
Manifold material	Aluminum
T port	1/2" G



N°	Description	Q.ty
1	Ø 8,5 through hole for tie rod	3
2	OR 2050 i. Ø 12,42 cross section 1,78 (P-T)	2
3	OR 2043 i. Ø 10,82 cross section 1,78 (LS-FS)	1
4	OR 108 i. Ø 8,73 cross section 1,78	1
5	M8 x 13 per fissaggio blocco	2

Dimensions in mm

Ordering code

H	3	2	0	2	A
---	---	---	---	---	---

Hydrover product**Product series**

32 series - Load sensing modular Cetop 3 subplates for parallel circuits

Manifold material
Aluminum**Product ID**

Note: this closing plate can be used as a blind closing plate. Just add in T a 1/2" G plug.