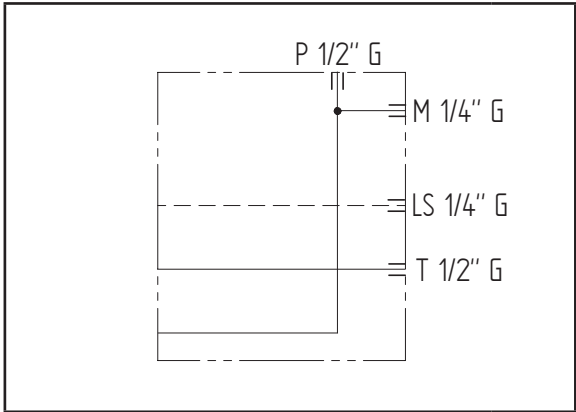
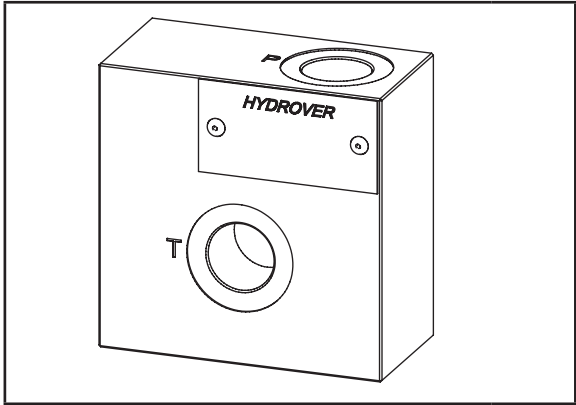
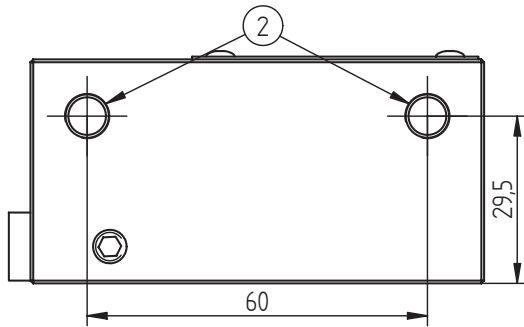
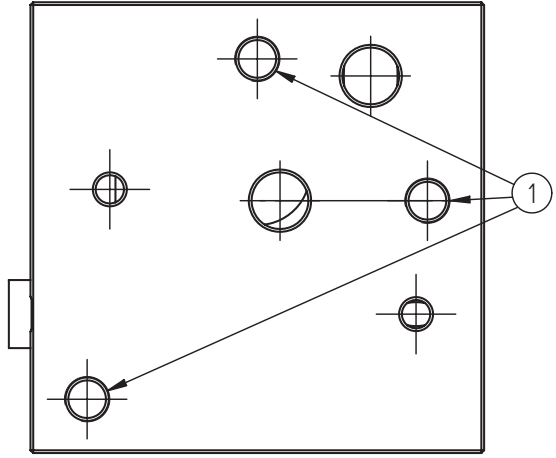
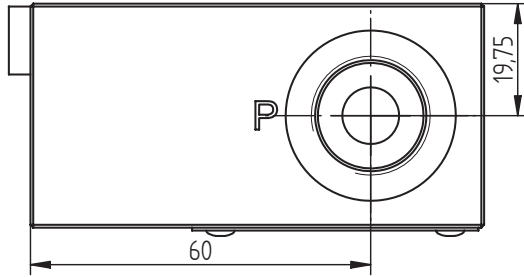


Dimensions in mm

| Technical data    |          |
|-------------------|----------|
| Max. pressure     | 250 bar  |
| Weight            | 0,7 Kg   |
| Manifold material | Aluminum |
| LS / M ports      | 1/4" G   |
| P / T ports       | 1/2" G   |



| N° | Description               | Q.ty |
|----|---------------------------|------|
| 1  | M8x13 for tie rod         | 3    |
| 2  | M8x15 thread for mounting | 2    |



Ordering code

|   |   |   |   |   |   |
|---|---|---|---|---|---|
| H | 3 | 2 | 0 | 3 | A |
|---|---|---|---|---|---|

**Hydrover product****Product series**

32 series - Load sensing modular Cetop 3 subplates for parallel circuits

**Manifold material**  
Aluminum**Product ID**