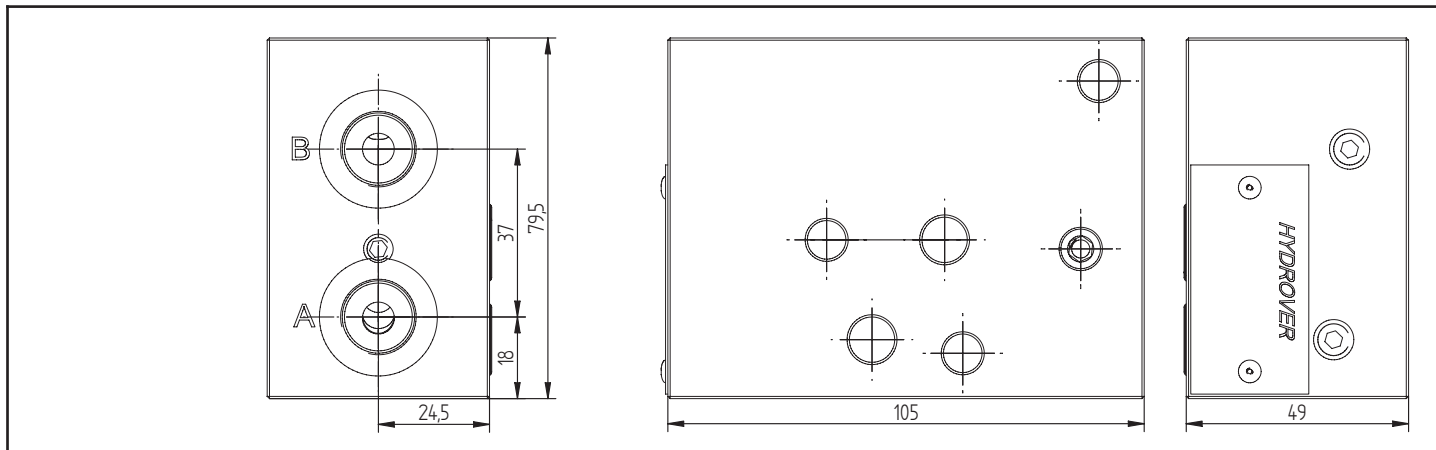
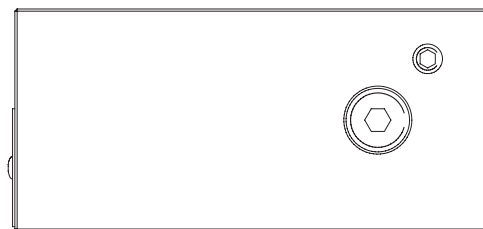
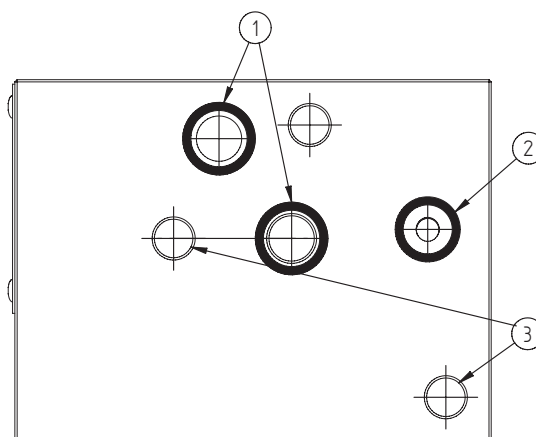
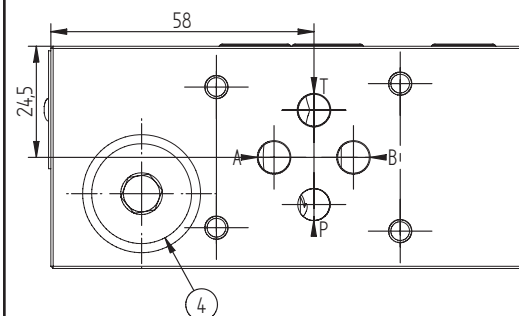
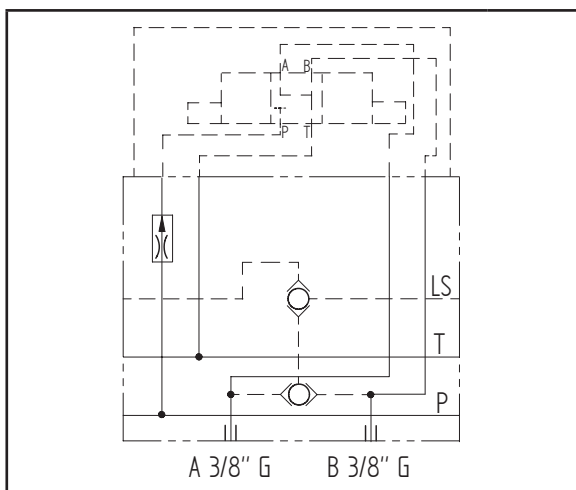
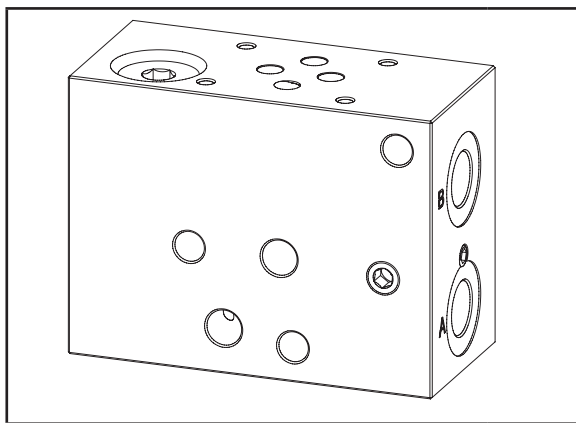


Intermediate subplate with 2 way compensated flow regulator
fixed flow rate from 4 to 16 lpm and 1 Cetop 3 station / side A-B ports

H3205



Technical data	
Max. pressure	210 bar
Weight	1,2 Kg
Manifold material	Aluminum
A / B ports	3/8" G



Dimensions in mm

N°	Description	Q.ty
1	OR 2050 i. Ø 12,42 cross section 1,78 (P-T)	2
2	OR 2043 i. Ø 10,82 cross section 1,78 (LS)	1
3	Ø 8,5 through hole for tie rod	3
4	2 way compensated flow regulator Bosch Rexroth 0T.F1.00.02-Z *	1

* for complete technical information, click on the blue link or go to the components section at the end of the catalog

Ordering code

H	3	2	0	5	A	-	_	_
---	---	---	---	---	---	---	---	---

Hydrover product

Product series

32 series - Load sensing modular Cetop 3 subplates for parallel circuits

Product ID

Regulated flow ± 10% at 100 bar

00 =	With regulator to drill (4-10 lpm)
04 =	4 lpm
05 =	5 lpm
06 =	6 lpm
08 =	8 lpm
10 =	10 lpm
12 =	12 lpm
14 =	14 lpm
16 =	16 lpm

Manifold material

Aluminum