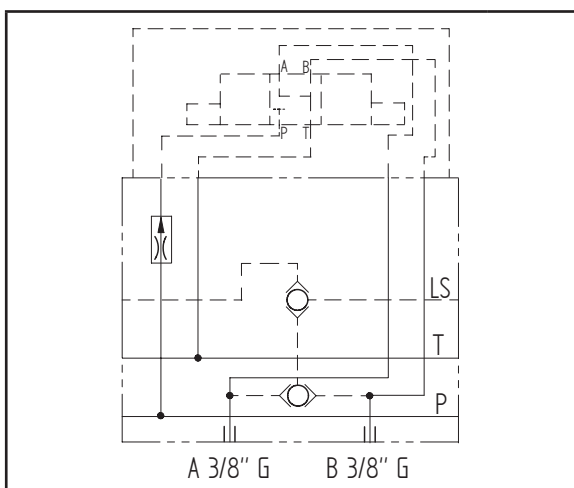
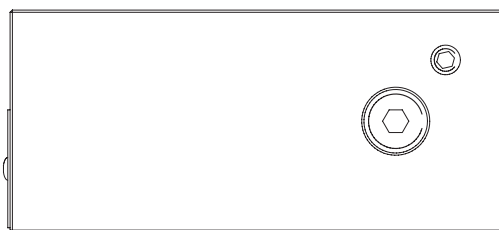
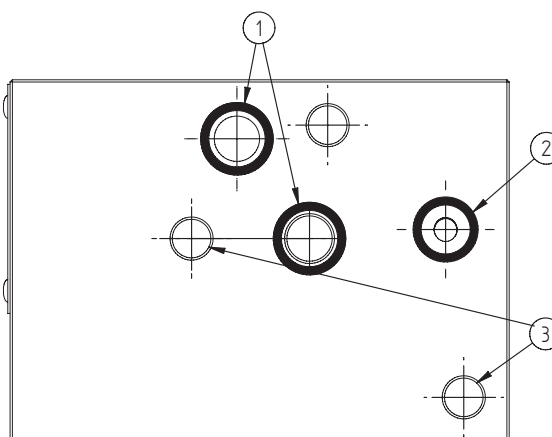
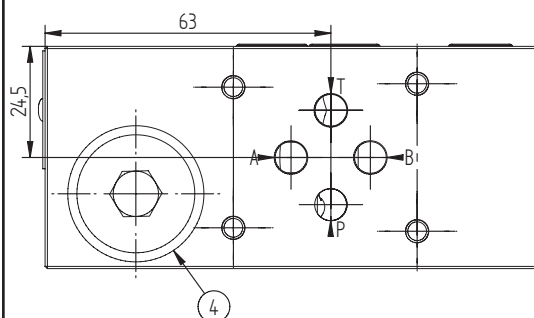
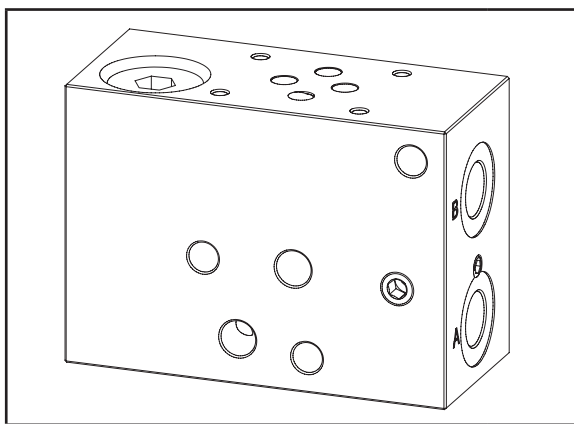


Technical data	
Max. pressure	210 bar
Weight	1,1 Kg
Manifold material	Aluminum
A / B ports	3/8" G



Dimensions in mm

N°	Description	Q.ty
1	OR 2050 i. Ø 12,42 cross section 1,78 (P-T)	2
2	OR 2043 i. Ø 10,82 cross section 1,78 (LS)	1
3	Ø 8,5 through hole for tie rod	3
4	2 way compensated flow regulator Bosch Rexroth 0T.F1.00.0-Z *	1

* for complete technical information, click on the blue link or go to the components section at the end of the catalog

Ordering code

H	3	2	0	7	A	-	-	-
---	---	---	---	---	---	---	---	---

Hydrover product

Product series

32 series - Load sensing modular Cetop 3 subplates for parallel circuits

Product ID

Regulated flow ± 10% at 100 bar

With regulator to drill

00 =	12 lpm
12 =	16 lpm
16 =	20 lpm
20 =	25 lpm
25 =	30 lpm
30 =	

Manifold material

Aluminum