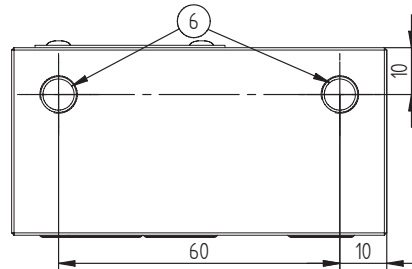
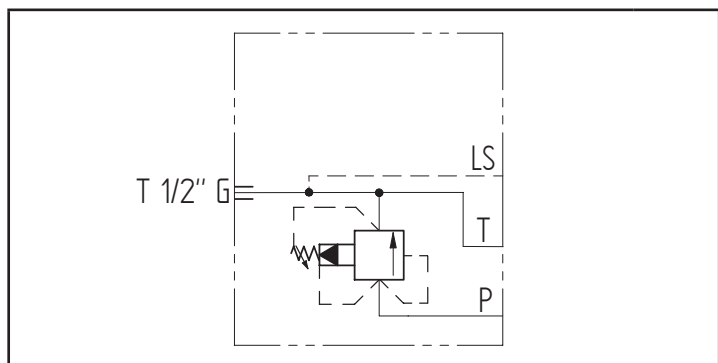
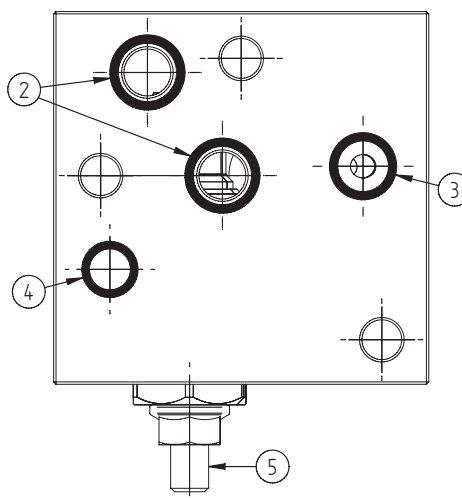
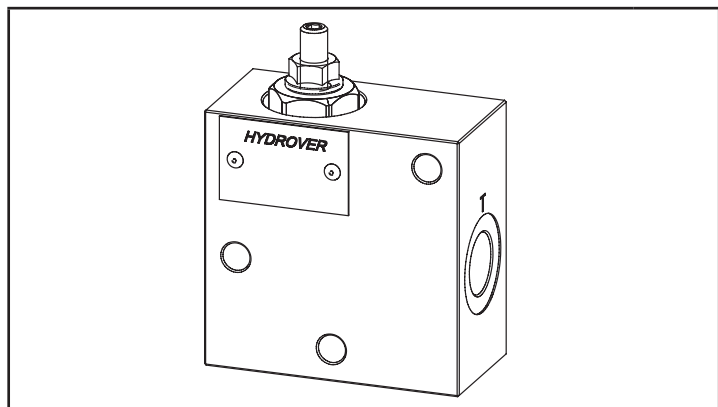
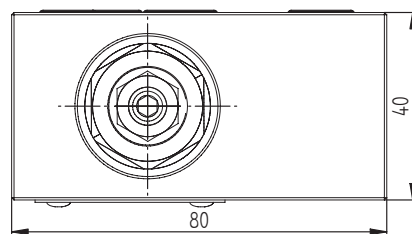


Dimensions in mm

Technical data	
Max. pressure	250 bar
Max. flow	90 lpm
Weight	0,8 Kg
Manifold material	Aluminum
T port	1/2" G



N°	Description	Q.ty
1	Ø 8,5 through hole for tie rod	3
2	OR 2050 i. Ø 12,42 cross section 1,78 (P-T)	2
3	OR 2043 i. Ø 10,82 cross section 1,78 (LS)	1
4	OR 108 i. Ø 8,73 cross section 1,78	1

N°	Description	Q.ty
5	Bosch Rexroth relief valve <b>VSPN-10A</b> * depicted with screw adjustment	1
6	M8x13 for mounting	2

\* for complete technical information, click on the blue link or go to the components section at the end of the catalogue

Ordering code

H	3	2	0	8	A	-	-	-
---	---	---	---	---	---	---	---	---

**Hydrover product**

**Product series**

32 series - Load sensing modular  
Cetop 3 subplates for parallel circuits

**Product ID**

**Manifold material**

Aluminum

**Relief valve  
adjustment pressure range \***

- 1 = 35-140 bar
- 2 = 70-280 bar
- 3 = 140-420 bar
- 3 = 35-350 bar (adj. knob)

**Relief valve  
adjustment type \***

- S = Screw
- K = Knob

\* Omit if not required. For example, to order the product without the relief cartridge valve, omit the pressure range and adjustment type options: H3208A.  
The manifold will still be provided with the corresponding cavity.  
To inhibit the relief valve, replace the related options with TL: H3208A-TL).  
In the cavity it will be mounted a long plug.

Valve	Cavity	Long plug code
Pressure relief valve VSPN-10A	CA-10A-2N	<b>0489A200850000</b>