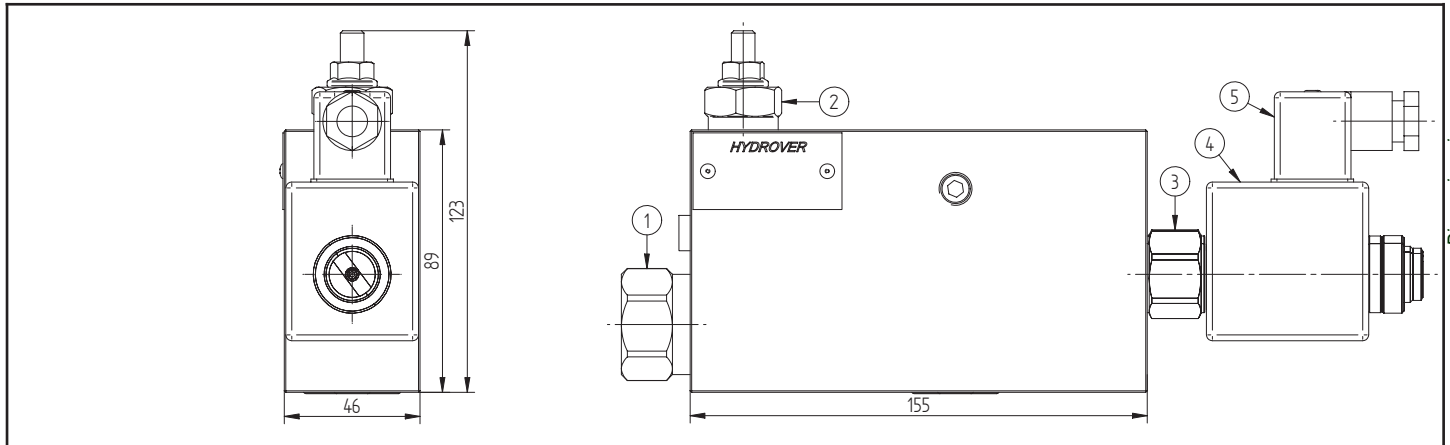


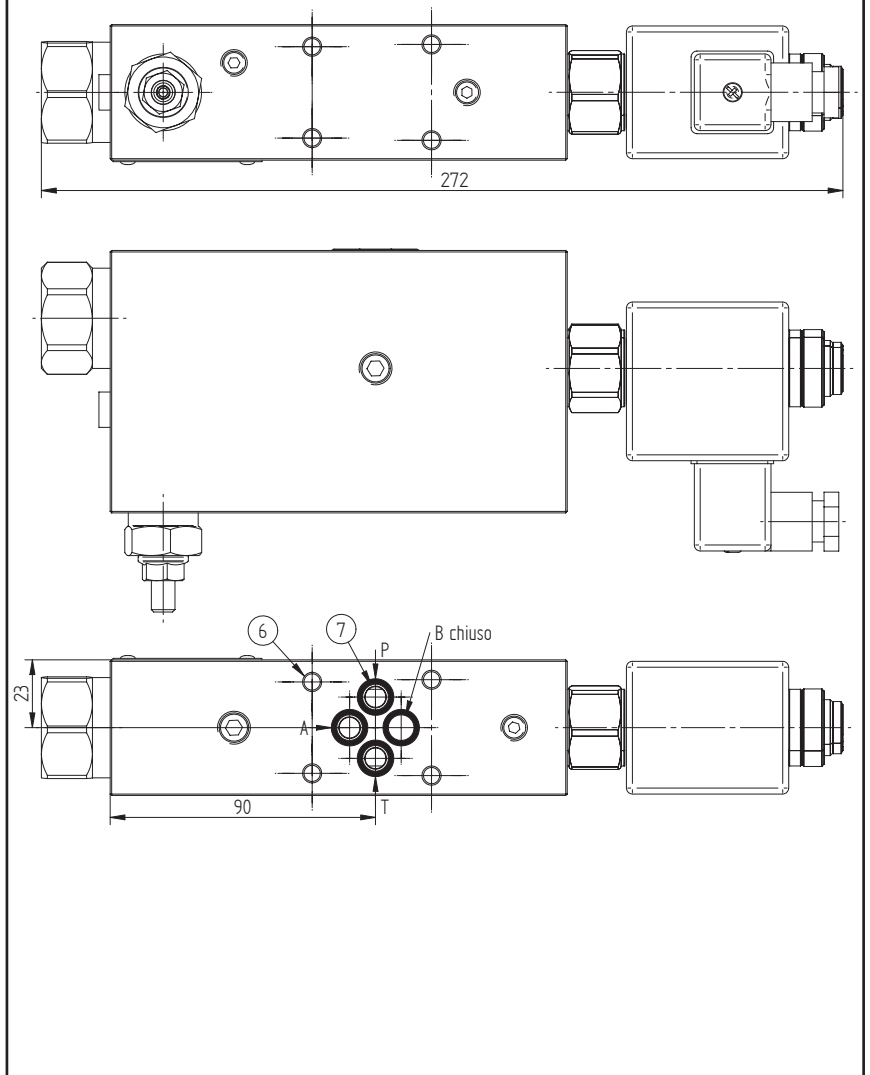
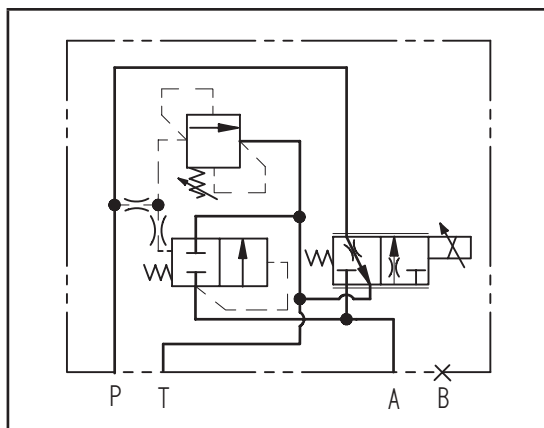
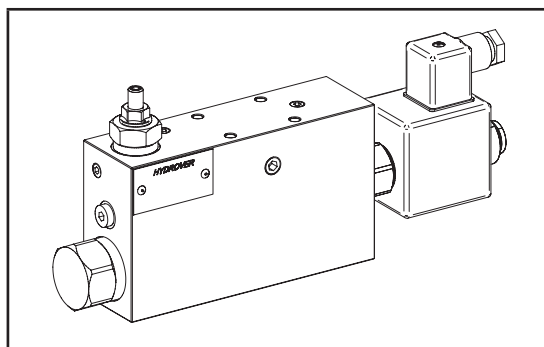
3 way compensated Cetop 3 flow regulator / relief valve / inlet in A
regulated outlet on P / discharge in T

H3501



Dimensions in mm

Technical data	
Max. pressure	210 bar
Input max. flow	65 lpm
Weight	2,5 Kg
Manifold material	Aluminium



N°	Description	Q.ty
1	Pressure compensator	1
2	Bosch Rexroth relief valve VSNB-08A *	1
3	Bosch Rexroth proportional solenoid valve VEP-5A-2Q-09 / OD.92.05.77-Y-Z *	1
4	Bosch Rexroth coil S5-356 - CLASS H DIN 43650 ISO 4400 *	1
5	Connector DIN 43650 ISO 4400	1
6	Ø 5,5 through hole for mounting	4
7	OR 108 i. Ø 8,73 cross section 1,78	4

* for complete technical information, click on the blue link or go to the components section at the end of the catalogue

Ordering code

H	3	5	0	1	A	_	_	_	-	_	_	-	_	_	_
---	---	---	---	---	---	---	---	---	---	---	---	---	---	---	---

Hydrover product

Product series

35 series - Cetop 3 valves

Product ID

Manifold material

Aluminium

Compensator spring

5.5 bar (standard) = 6
 12.5 bar = 1
 19 bar = 2

Relief valve adjustment type *

Screw = S
 Knob = K

Relief valve adjustment pressure range *

10-70 bar = 0
 35-140 bar = 1
 105-210 bar = 2
 175-350 bar = 3
 35-350 bar (adj. knob) = 3

Proportional solenoid valve coil connection *

1 = DIN 43650
 ISO 4400

Proportional solenoid valve coil voltage *

OB = 12V DC
 OC = 24V DC

Proportional solenoid valve max. flow *

1 = 20 lpm
 2 = 30 lpm
 3 = 40 lpm

To evaluate the max. flow refer to **VEP-5A-2Q-09 / OD.92.05.77-Y-Z** proportional solenoid valve catalogue and to the compensator spring.

Proportional solenoid valve manual override *

E0 = Without
 EV = Screw

* Omit if not required. For example, to order the product without the proportional solenoid cartridge valve, omit the manual override, max. flow, coil voltage and coil connection options: H3501A6S2.
 The manifold will still be provided with the corresponding cavity.