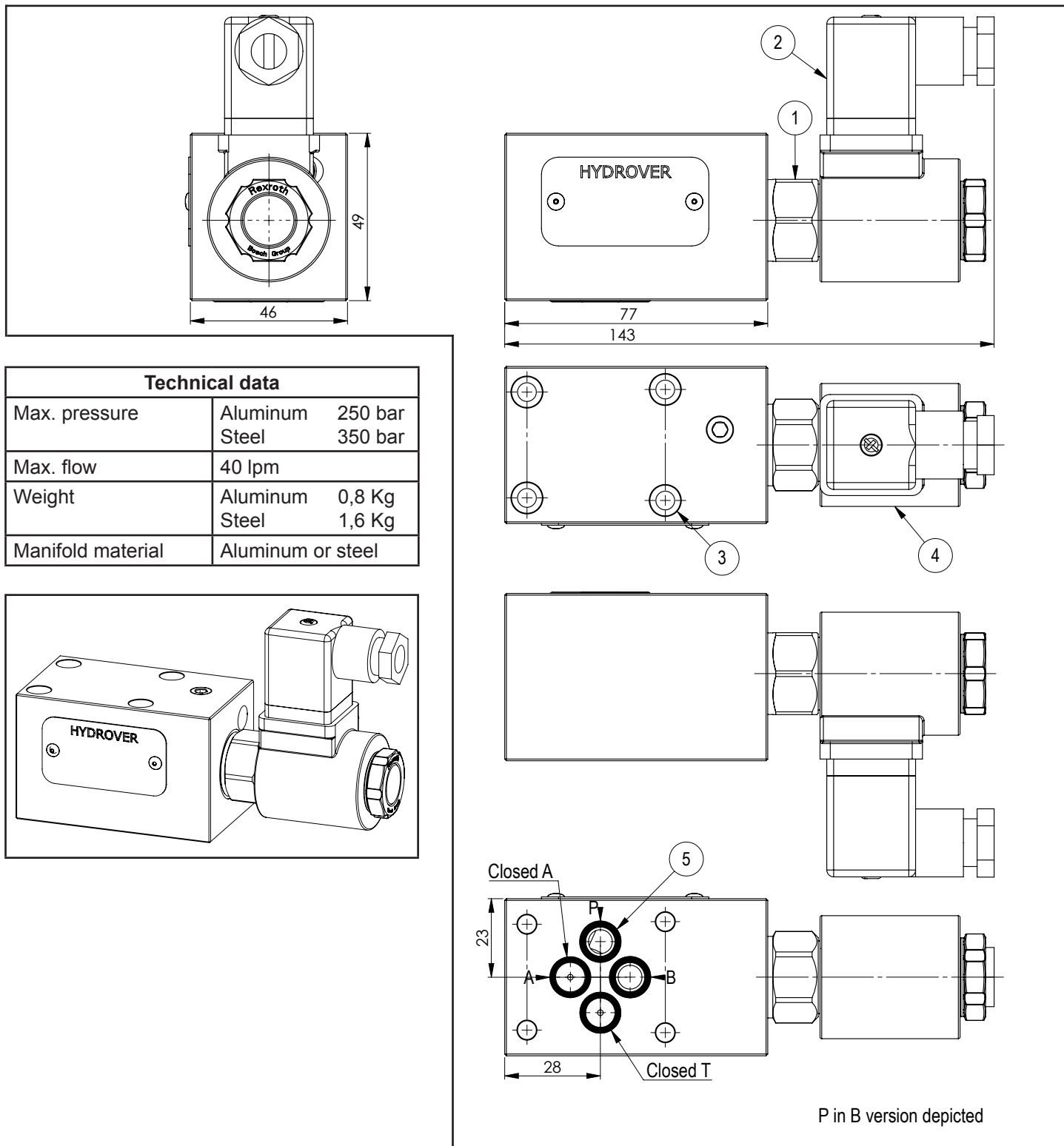
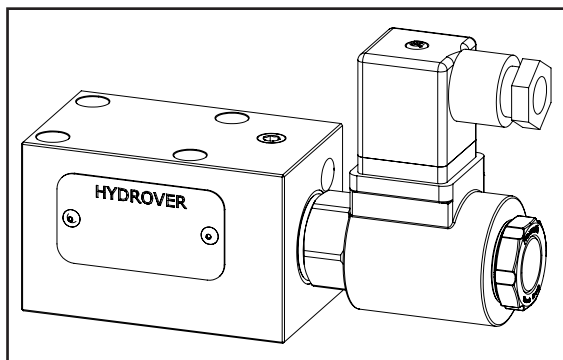


Poppet type solenoid operated directional Cetop 3 valve P in A or P in B **H3503**



Dimensions in mm

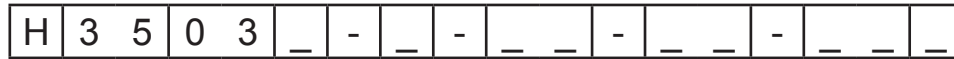
Technical data		
Max. pressure	Aluminum	250 bar
	Steel	350 bar
Max. flow	40 lpm	
Weight	Aluminum	0,8 Kg
	Steel	1,6 Kg
Manifold material	Aluminum or steel	



N°	Description	Q.ty
1	Bosch Rexroth solenoid valve VEI-16-08A-NC OD.15-X-18-Y-00000 (normally closed) or VEI-16-08A-NA OD.15-X-18-Y-00000 (normally open) depicted without manual override *	1
2	Connector DIN 43650 ISO 4400	1
3	Ø 5,5 through hole with counterbore for mounting	4
4	Bosch Rexroth coil D36 - CLASS H DIN 43650 ISO 4400 *	1
5	OR 108 i. Ø 8,73 cross section 1,78	4

* for complete technical information, click on the blue link or go to the components section at the end of the catalogue

Ordering code



Hydrover product

Product series
35 series - Cetop 3 valves

Product ID

Manifold material

Aluminum = A
Steel = S

In A or B

In A = A
In B = B

Solenoid valve spool type *

Normally open = NA
Normally closed = NC
Normally open double lock = 2A
Normally closed double lock = 2C

Solenoid valve coil connection *

1 = DIN 43650 ISO 4400

Solenoid valve coil voltage *

OB = 12V DC
OC = 24V DC
OD = 48V DC
OU = 110V RAC
AH = 230V RAC

Solenoid valve manual override *

E0 = Without
EP = Push (_A)
EV = Screw (_C)
EG = Push and twist (_A)

* Omit if not required. For example, to order the product without the solenoid cartridge valve coil, omit the coil voltage and coil connection options: H3503A-A-NC-E0.

