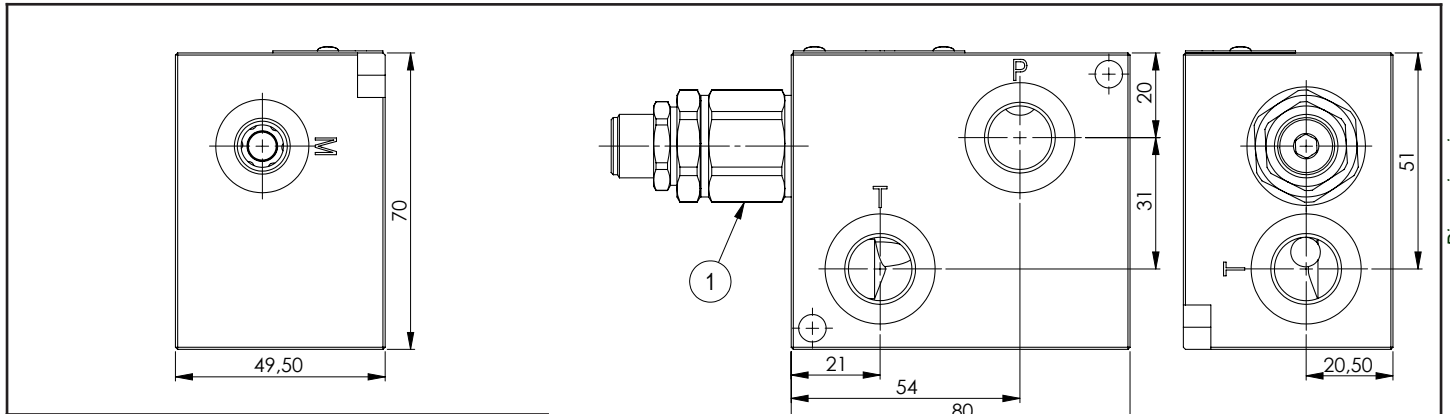


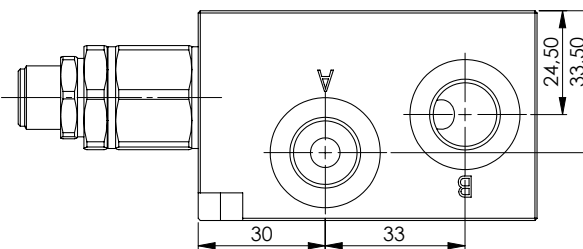
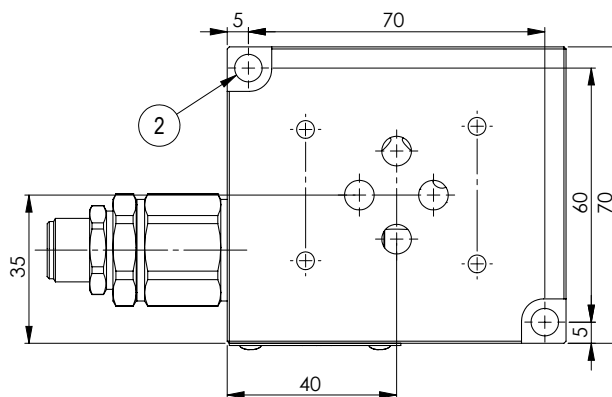
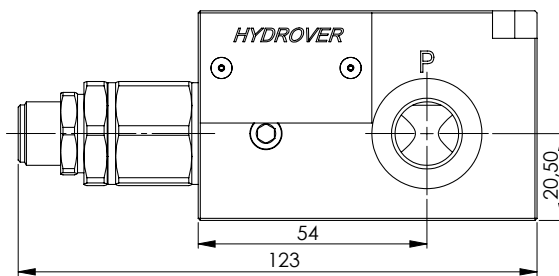
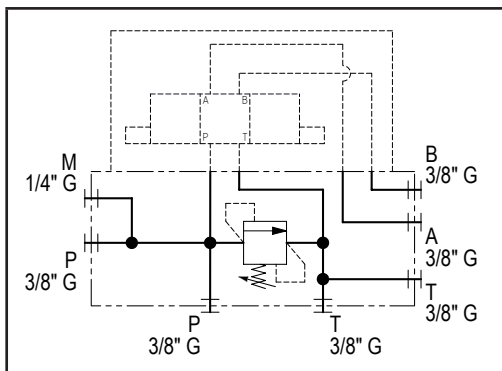
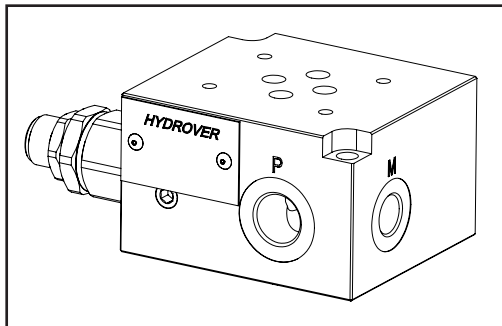
Cetop 3 single station subplate / relief valve  
back and side P-T ports / side A-B ports / 25 lpm

**H3602**



Dimensions in mm

Technical data	
Max. pressure	250 bar
Max. flow	25 lpm
Weight	0,9 Kg
Manifold material	Aluminum
M port	1/4" G
P / T / A / B ports	3/8" G



N°	Description	Q.ty
1	Bosch Rexroth relief valve <b>VMD1.025</b> *	1
2	Ø 6,5 through hole for mounting blocco	2

\* for complete technical information, click on the blue link or go to the components section at the end of the catalogue

Ordering code

H	3	6	0	2	A	-	-	-
---	---	---	---	---	---	---	---	---

**Hydrover product**

**Product series**

36 series - Cetop 3 subplates

**Product ID**

**Relief valve adjustment pressure range \***

- 1= 25-120 bar
- 2= 40-200 bar
- 3= 200-350 bar

**Relief valve adjustment type \***

S = Screw

**Manifold material**  
Aluminum

\* Omit if not required. For example, to order the product without the relief cartridge valve, omit the pressure range and adjustment type options: H3602A.  
The manifold will still be provided with the corresponding cavity.  
To inhibit the relief valve, replace the related options with TL: H3602A-TL.  
In the cavity it will be mounted a long plug.

Valve	Cavity	Long plug code
Pressure relief valve VMD1.025	VMD1.025	R-800-016