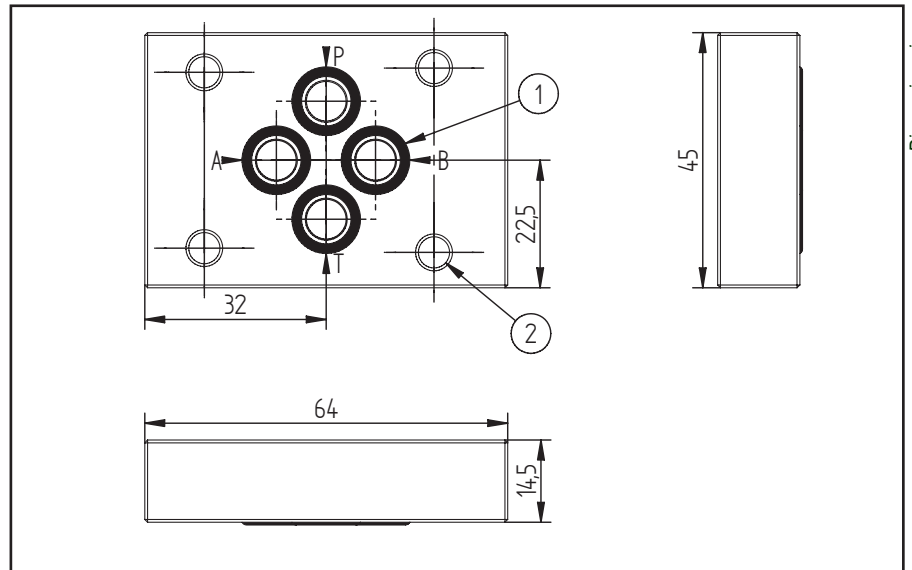
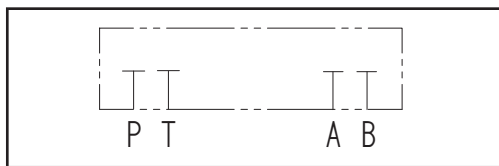
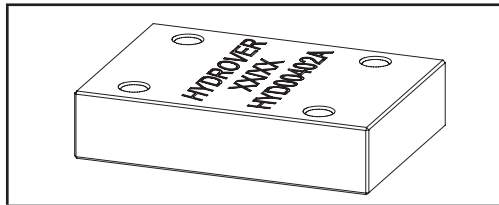


Aluminum version

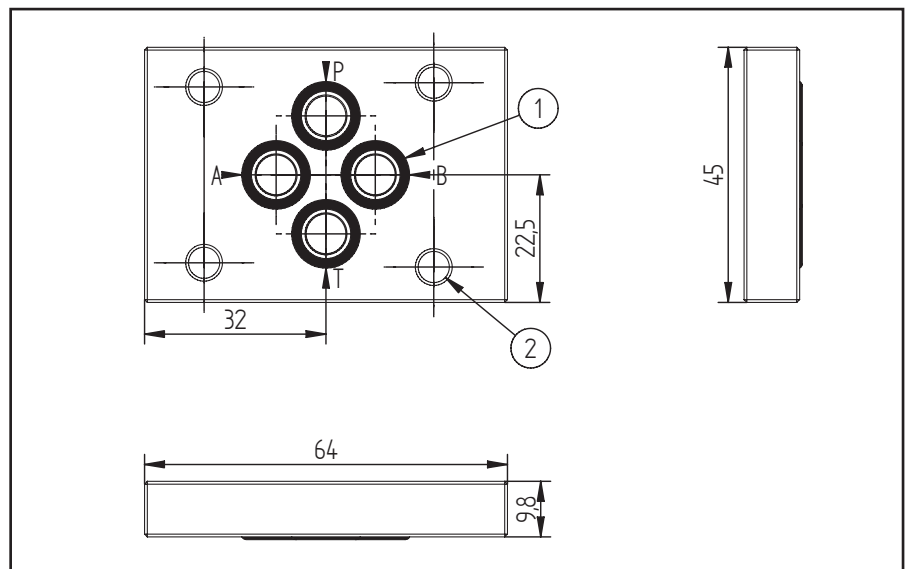
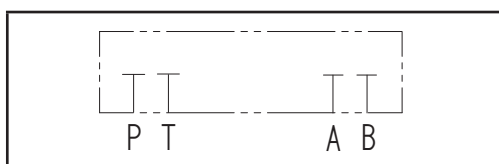
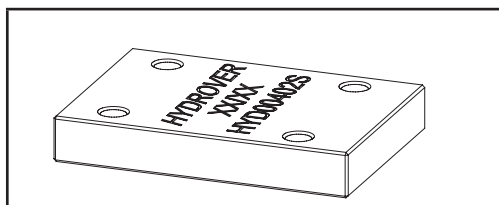
Technical data	
Max. pressure	250 bar
Weight	0,1 Kg



Dimensions in mm

Steel version

Technical data	
Max. pressure	350 bar
Weight	0,2 Kg



N°	Description	Q.ty
1	OR 108 i. Ø 8,73 cross section 1,78	4
2	Ø 5,5 through hole for mounting	4

Ordering code

H	3	6	0	3	_
---	---	---	---	---	---

Hydrover product

Product series

36 series - Cetop 3 subplates

Product ID

Manifold material

Aluminum

Steel

A=

S=

