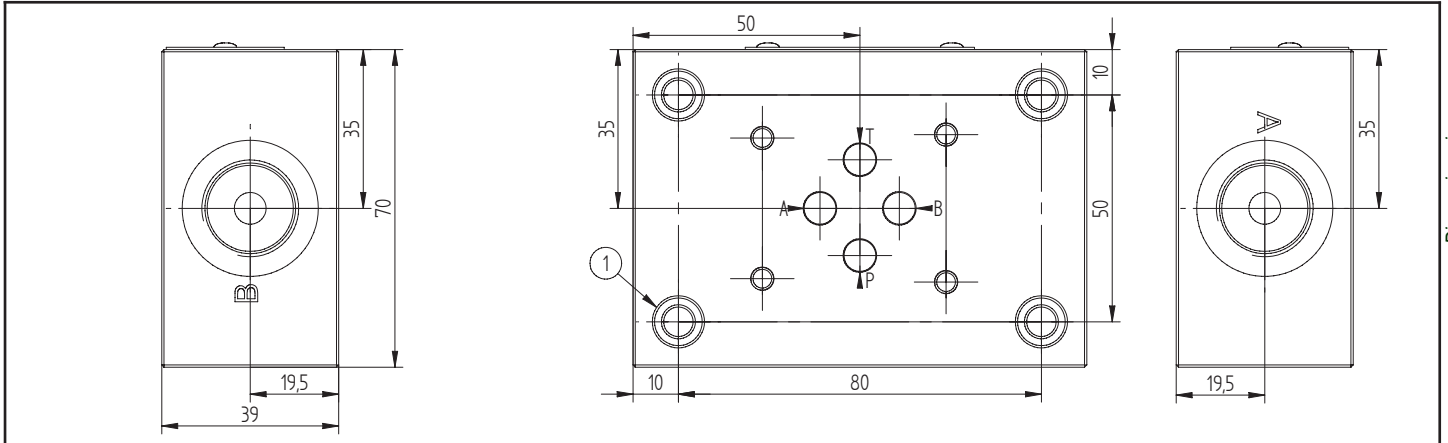
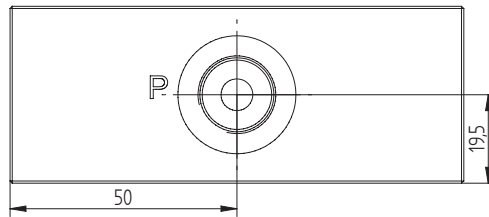
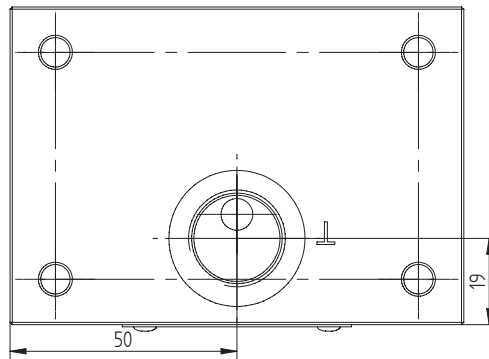
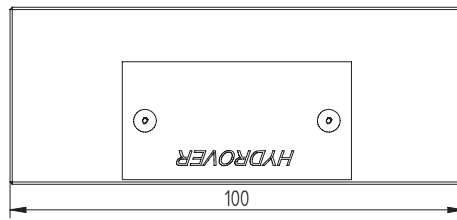
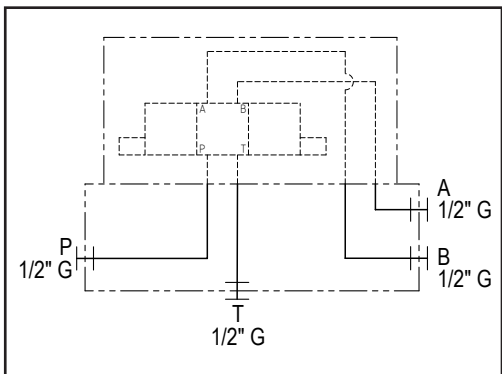
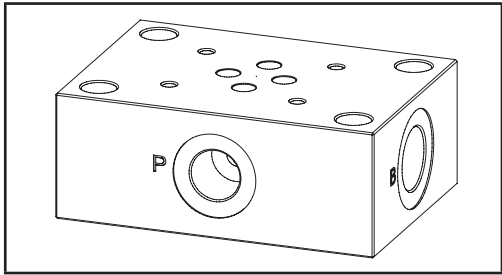


Cetop 3 single station subplate / side P-A-B ports / back T port **H3607**

Dimensions in mm



Technical data	
Max. pressure	250 bar
Weight	0,7 Kg
Manifold material	Aluminum
P port	3/8" G
T / A / B ports	1/2" G



N°	Description	Q.ty
1	Ø 6,5 through hole for mounting with counterbore	4

**H3607**

Ordering code

H	3	6	0	7	A
---	---	---	---	---	---

**Hydrover product**

**Product series**

36 series - Cetop 3 subplates

**Product ID**

**Manifold material**

Aluminum