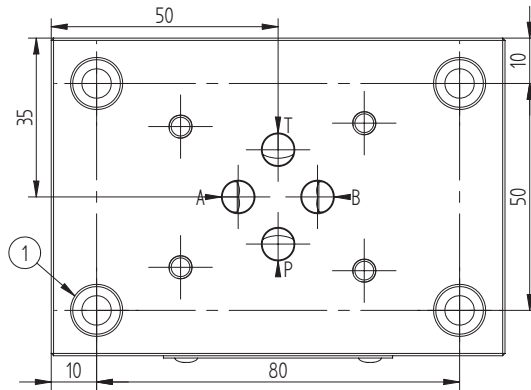
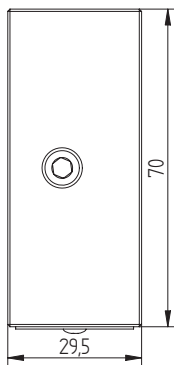
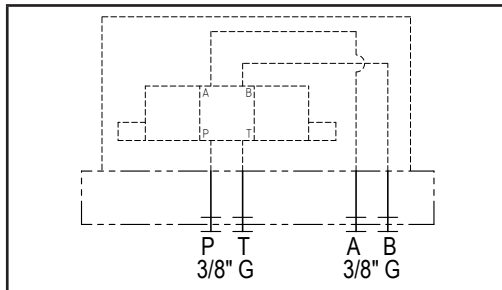
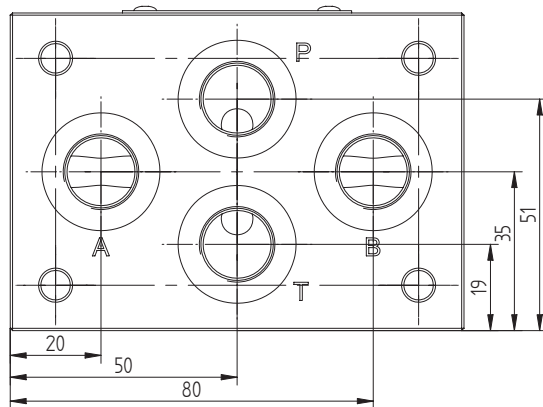
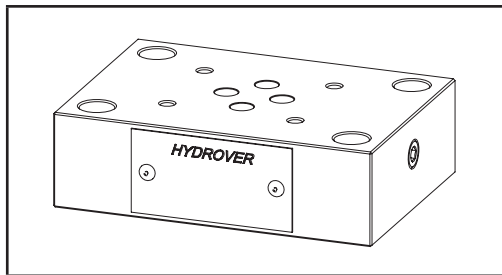
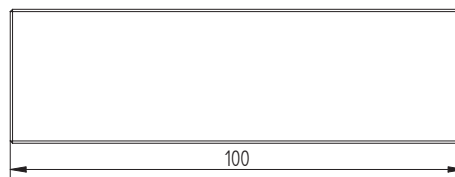


Cetop 3 single station subplate / Back P-T-A-B ports **H3609**

Dimensions in mm



Technical data	
Max. pressure	250 bar
Weight	0,6 Kg
Manifold material	Aluminum
P / T / A / B ports	3/8" G



N°	Description	Q.ty
1	Ø 6,5 through hole for mounting with counterbore	4

H3609

Ordering code

H	3	6	0	9	A
---	---	---	---	---	---

Hydrover product

Product series

36 series - Cetop 3 subplates

Product ID

Manifold material

Aluminum