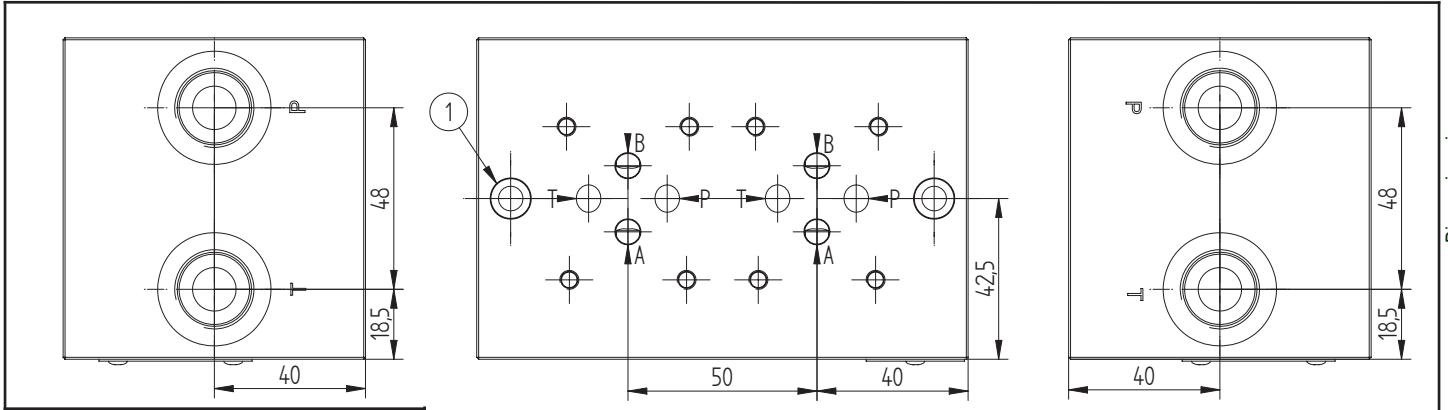


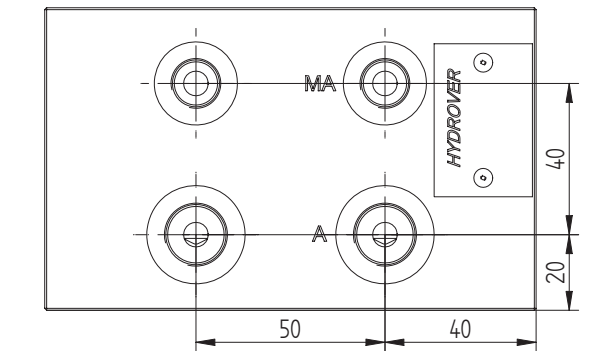
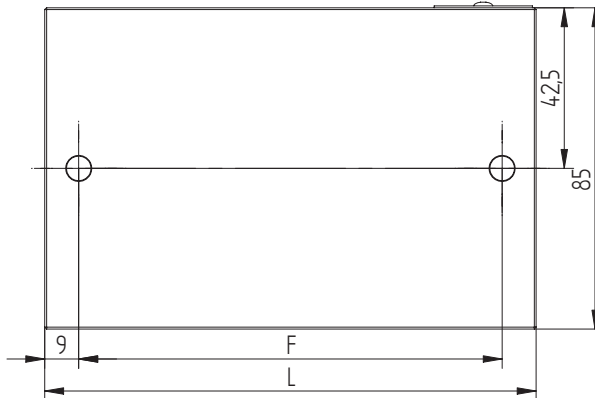
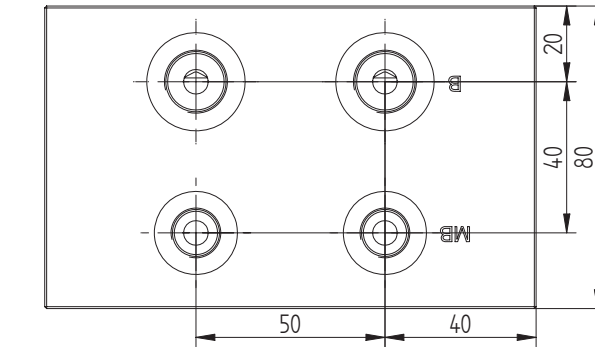
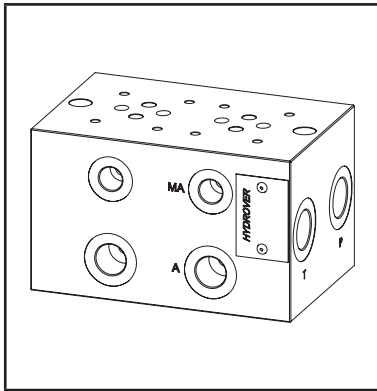
Cetop 3 subplate from 2 to 8 stations / crossing P-T ports 1/2" G  
side A-B ports 3/8" G / side MA-MB ports 1/4" G

**H3610**

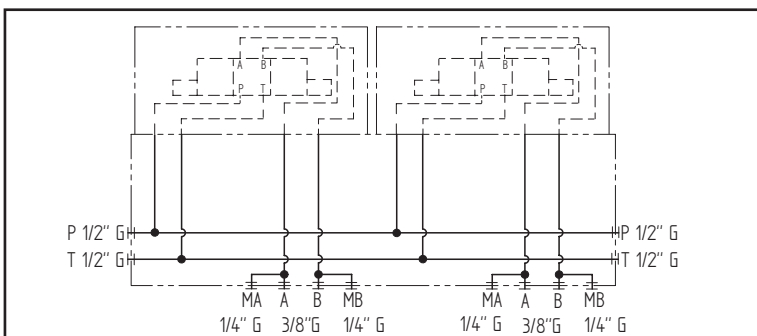


Dimensions in mm

Technical data	
Max. pressure	250 bar
2 stations weight	2,3 Kg
3 stations weight	3,4 Kg
4 stations weight	4,5 Kg
5 stations weight	5,6 Kg
6 stations weight	6,8 Kg
7 stations weight	7,9 Kg
8 stations weight	9,2 Kg
Manifold material	Aluminum
MA / MB ports	1/4" G
A / B ports	3/8" G
P / T ports	1/2" G



N°	Description	Q.ty
1	Ø 6,5 through hole for mounting	2



Stat.	2	3	4	5	6	7	8
F	112	162	212	262	312	362	412
L	130	180	230	280	330	380	430

Ordering code

H	3	6	1	0	_	_	_
---	---	---	---	---	---	---	---

**Hydrover product**

**Product series**

36 series - Cetop 3 subplates

**Product ID**

**Manifold material**

Aluminum

**Number of Cetop 3 stations**

2P =	2 stations
3P =	3 stations
4P =	4 stations
5P =	5 stations
6P =	6 stations
7P =	7 stations
8P =	8 stations