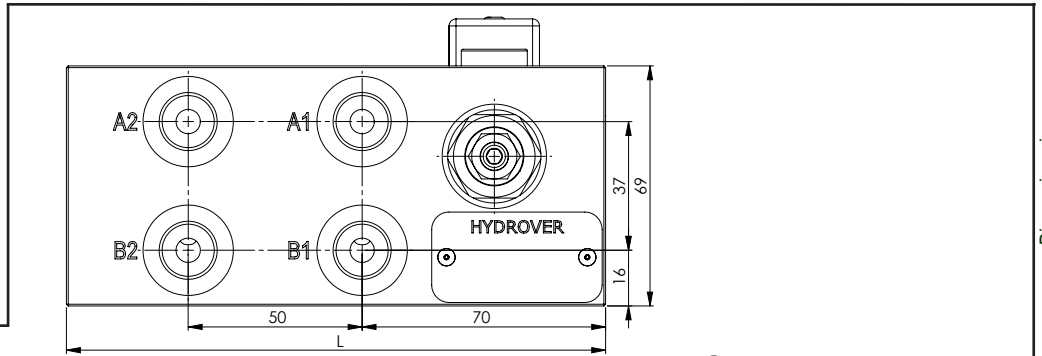


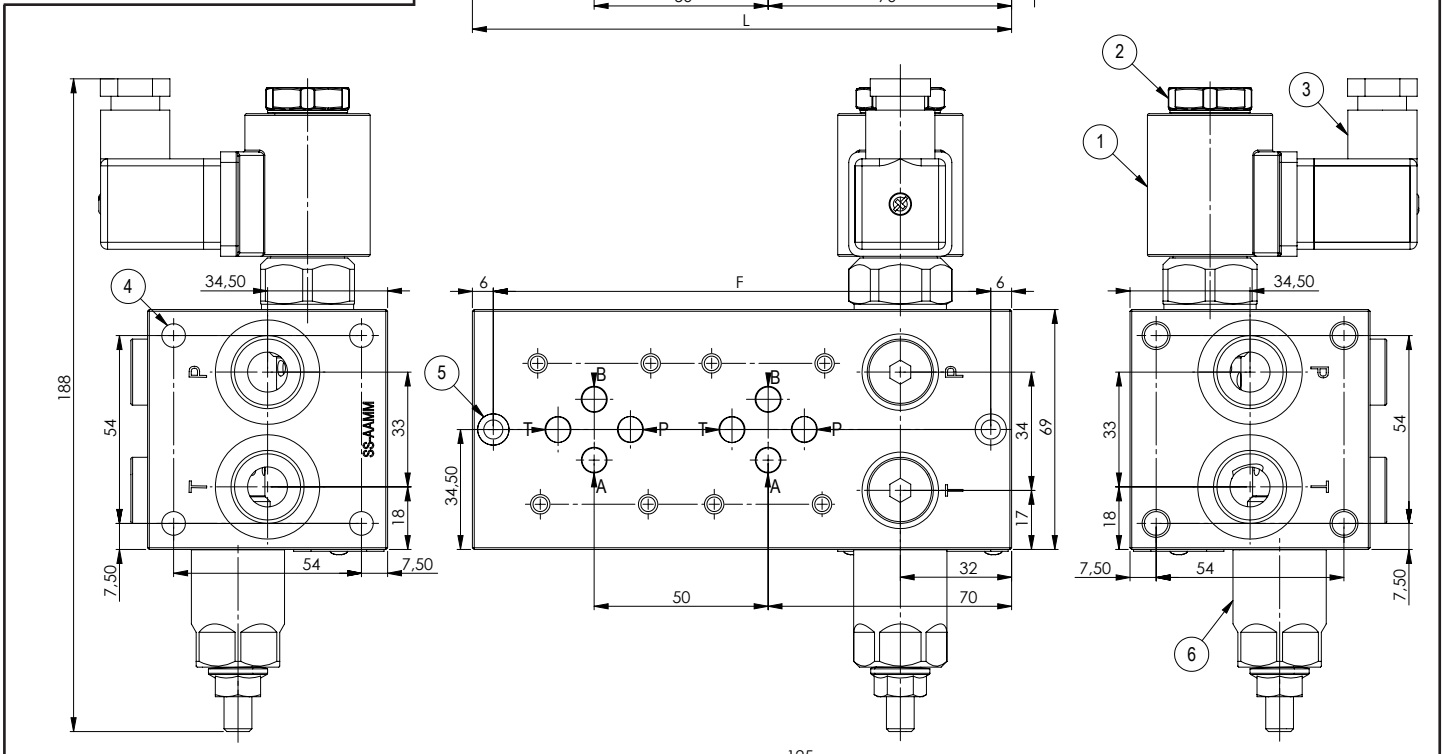
Cetop 3 subplate from 2 to 7 stations / bypass and relief valves
crossing P-T ports 1/2" G / side A-B ports 3/8" G / 60 lpm

H3615

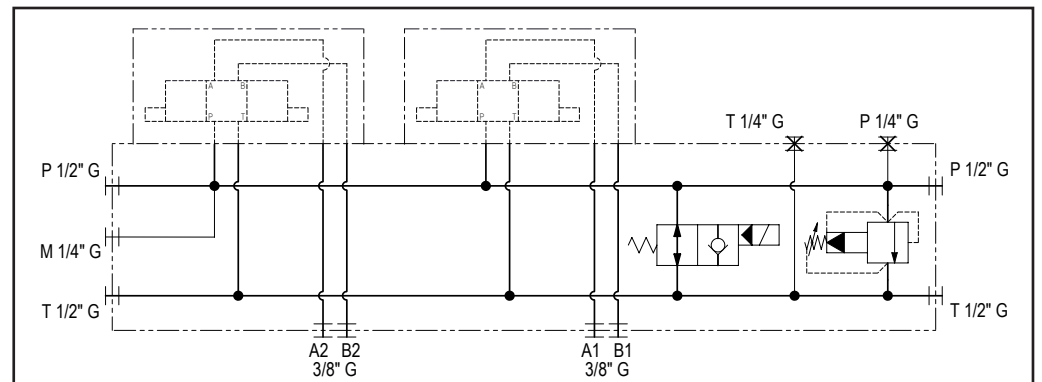
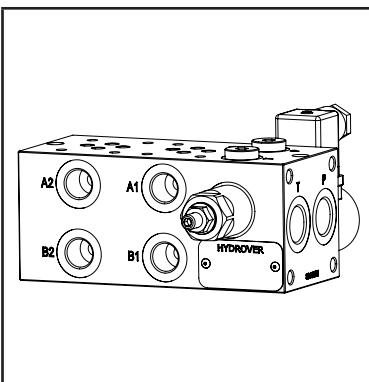
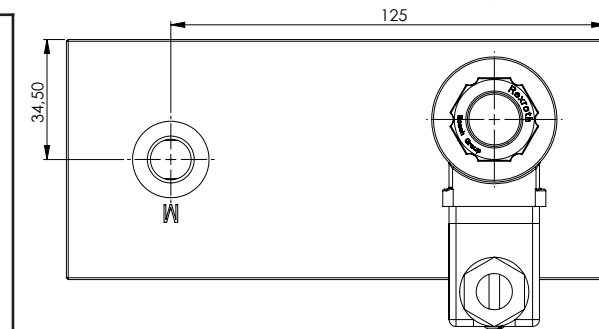
| Technical data | |
|-------------------|-----------|
| Max. pressure | 250 bar |
| Max. flow | 60 lpm |
| Manifold material | Aluminium |
| M / P / T ports | 1/4" G |
| A / B ports | 3/8" G |
| P / T ports | 1/2" G |



Dimensions in mm



| Stat. | F | L | Weight |
|-------|-----|-----|--------|
| 2 | 143 | 155 | 1,8 Kg |
| 3 | 193 | 205 | 2,4 Kg |
| 4 | 243 | 255 | 3,0 Kg |
| 5 | 293 | 305 | 3,6 Kg |
| 6 | 343 | 355 | 4,3 Kg |
| 7 | 393 | 405 | 4,9 Kg |



Ordering code

H 3 6 1 5 A _ _ - _ _ - _ _ - _ _

Hydrover product

Product series

36 series - Cetop 3 subplates

Product ID

Manifold material

Aluminium

Number of Cetop 3 stations

- 2 stations = 2P
- 3 stations = 3P
- 4 stations = 4P
- 5 stations = 5P
- 6 stations = 6P
- 7 stations = 7P

Relief valve adjustment type *

- Screw = S
- Knob = K

Relief valve adjustment pressure range*

- 35-140 bar = 1
- 70-280 bar = 2
- 140-420 bar = 3
- 35-350 bar (adj. knob) = 3

Solenoid valve coil connection *

- 1 = DIN 43650
- ISO 4400

Solenoid valve coil voltage *

- OB = 12V DC
- OC = 24V DC
- OD = 48V DC
- OU = 110V RAC
- AH = 230V RAC

Solenoid valve manual override *

- E0 = Without
- EP = Push
- EG = Push and twist

* Omit if not required. For example, to order the product without the relief cartridge valve, omit the pressure range and adjustment type options: H3615A3P-S2.
 The manifold will still be provided with the corresponding cavity.
 To inhibit the relief valve, replace the related options with TL: eg. H3615A3P-S2-TL.
 In the cavity it will be mounted a long plug.

| Valve | Cavity | Long plug code |
|---|-----------|------------------------|
| Bosch Rexroth solenoid valve VEI-16-10A-NA OD.15.06.36-Y-000000 | CA-10A-2N | 0489A2008500000 |
| Pressure relief valve VSPN-10A | CA-10A-2N | 0489A2008500000 |

| N° | Description | Q.ty |
|----|---|------|
| 1 | Bosch Rexroth coil D36 - CLASS H DIN 43650 ISO 4400 * | 1 |
| 2 | Bosch Rexroth solenoid valve VEI-16-10A-NA OD.15.06.36-Y-000000 depicted without manual override * | 1 |
| 3 | Connector DIN 43650 ISO 4400 | 1 |
| 4 | M8x15 thread for mounting | 8 |
| 5 | Ø 5,5 through hole with counterbore for mounting | 2 |
| 6 | Bosch Rexroth relief valve VSPN-10A* depicted with screw adjustment | 1 |