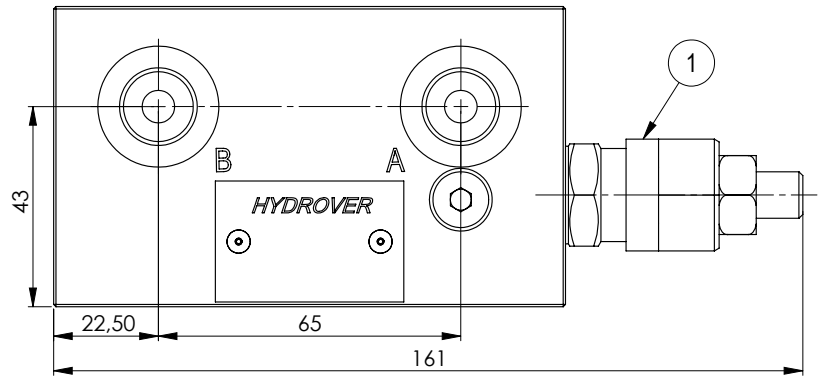
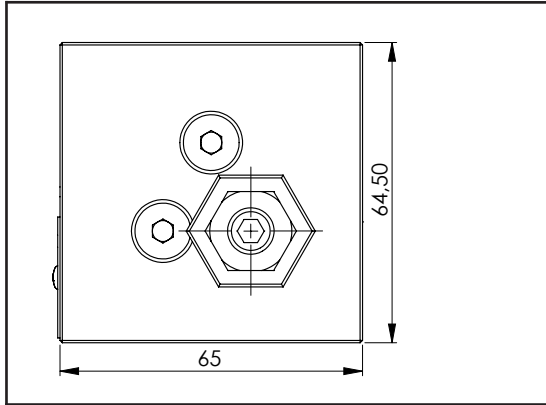


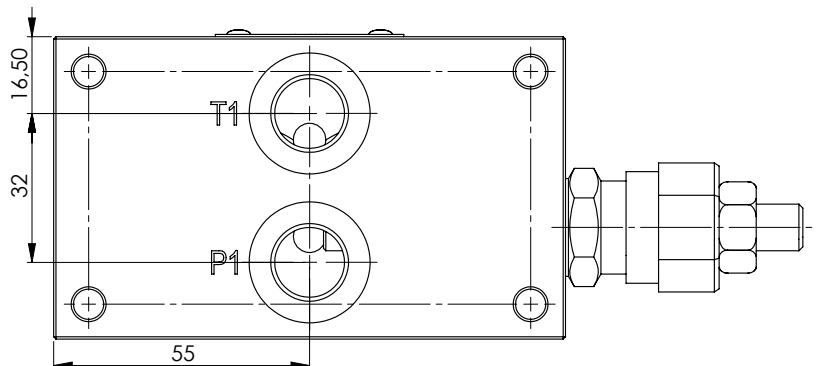
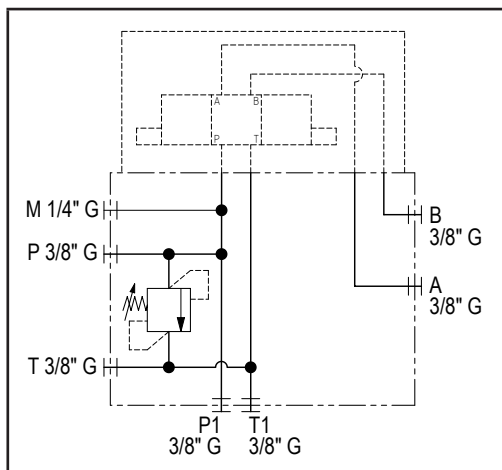
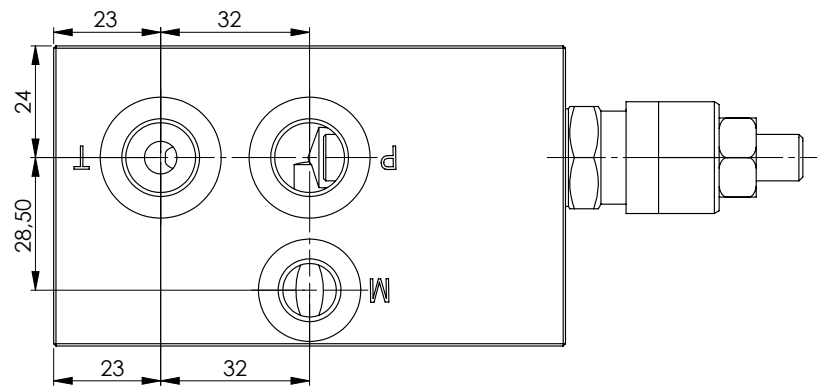
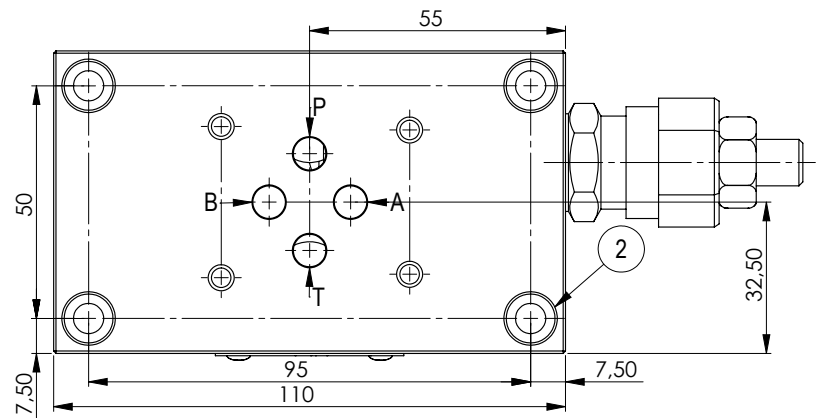
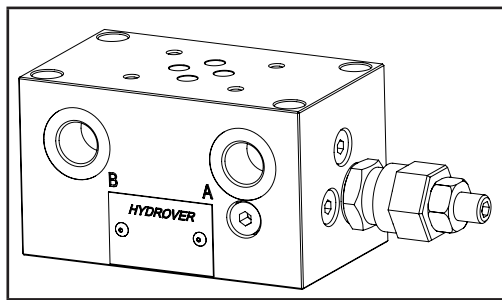
Cetop 3 single station subplate / relief valve
back and side P-T ports / side A-B ports / 30 lpm

H3619



Dimensions in mm

Technical data	
Max. pressure	250 bar
Max. flow	30 lpm
Weight	1,3 Kg
Manifold material	Aluminium
M port	1/4" G
P / T / A / B ports	3/8" G



N°	Description	Q.ty
1	Bosch Rexroth relief valve VS-30 *	1
2	Ø 6,5 through hole for mounting with counterbore	4

* for complete technical information, click on the blue link or go to the components section at the end of the catalogue

Ordering code

H	3	6	1	9	A	-	-	-
---	---	---	---	---	---	---	---	---

Hydrover product

Product series

36 series - Cetop 3 subplates

Product ID

Relief valve adjustment pressure range *

- 0 = 5-50 bar
- 1 = 30-100 bar
- 2 = 50-210 bar
- 3 = 100-350 bar

Relief valve adjustment type *

- S = Screw
- K = Knob

Manifold material
Aluminium

* Omit if not required. For example, to order the product without the relief cartridge valve, omit the pressure range and adjustment type options: H3619A.
The manifold will still be provided with the corresponding cavity.
To inhibit the relief valve, replace the related options with TL: H3619A-TL.
In the cavity it will be mounted a long plug.

Valve	Cavity	Long plug code
Pressure relief valve VS-30	008	D8TVMDC