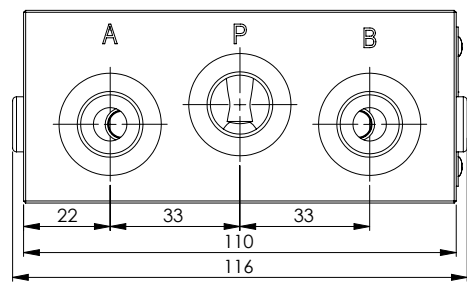
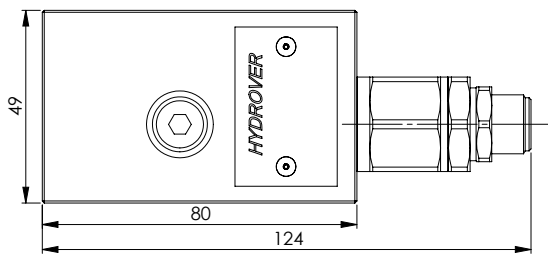


Cetop 3 single station subplate / relief valve on A and B back and side P-T-A-B ports / 25 lpm

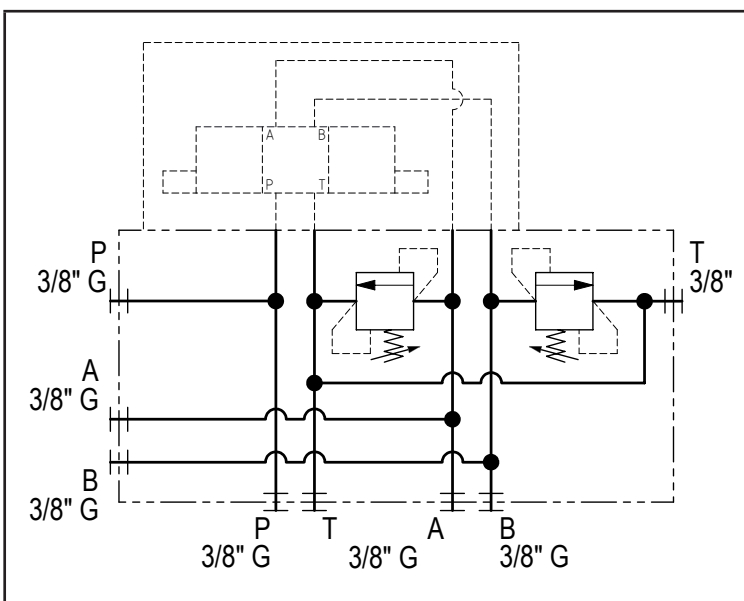
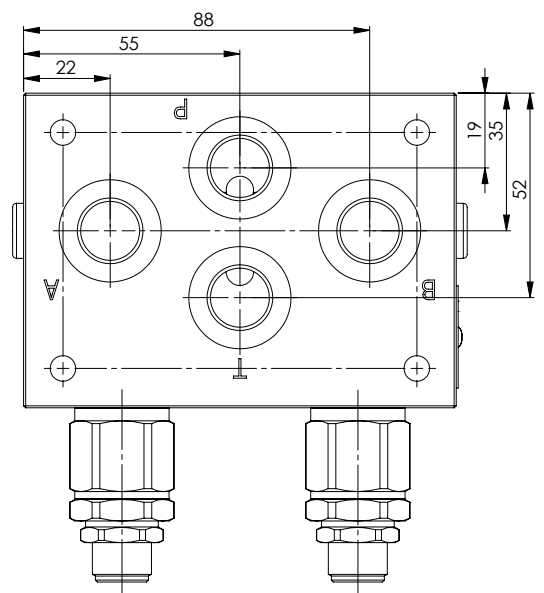
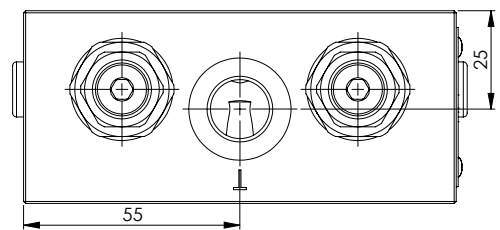
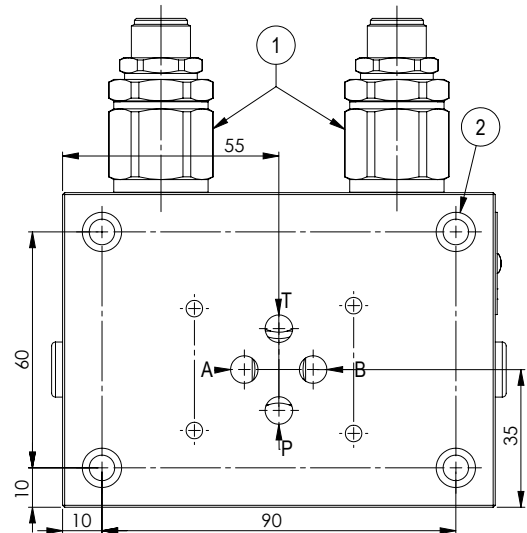
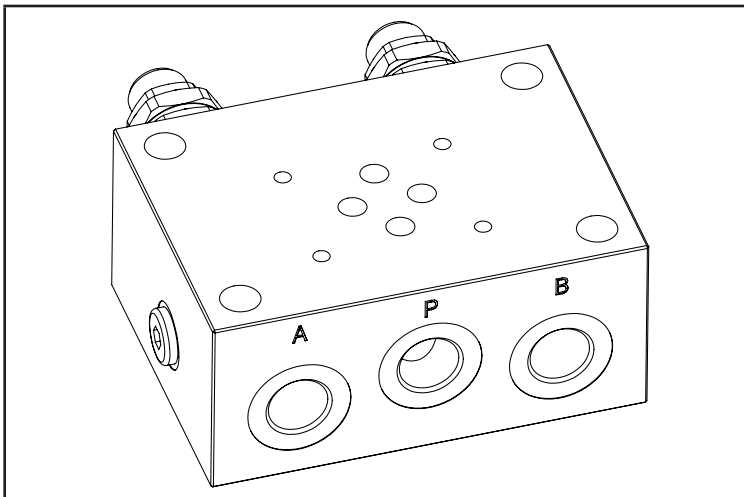
H3623



Dimensions in mm

Technical data

Max. pressure	350 bar
Max. flow	25 lpm
Weight	3,2 Kg
Manifold material	Steel
P / T / A / B back and side ports	3/8" G



N°	Description	Q.ty
1	Bosch Rexroth relief valve VMD1.025 *	2
2	Ø 6,5 through hole for mounting blocco	2

* for complete technical information, click on the blue link or go to the components section at the end of the catalogue

Ordering code

H	3	6	2	3	A	-	-	-	-	-
---	---	---	---	---	---	---	---	---	---	---

Hydrover product

Product series

36 series - Cetop 3 subplates

Product ID

Manifold material

Aluminum

Relief valve adjustment pressure range on B *

- 1= 25-120 bar
- 2= 40-200 bar
- 3= 200-350 bar

Relief valve adjustment type on B *

S = Screw

Relief valve adjustment pressure range on A *

- 1= 25-120 bar
- 2= 40-200 bar
- 3= 200-350 bar

Relief valve adjustment type on A *

S = Screw

* Omit if not required. For example, to order the product without the relief cartridge valves, omit the pressure range and adjustment type options: H3623A.

The manifold will still be provided with the corresponding cavities.

To inhibit a relief valve, replace the related options with TL: eg. H3623A-TL-S2.

In the cavity it will be mounted a long plug.

Valve	Cavity	Long plug code
Pressure relief valve VMD1.025	VMD1.025	R-800-016