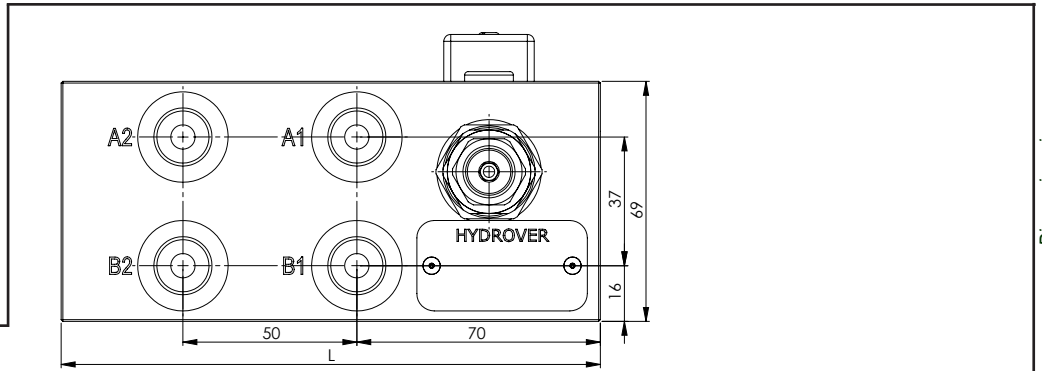


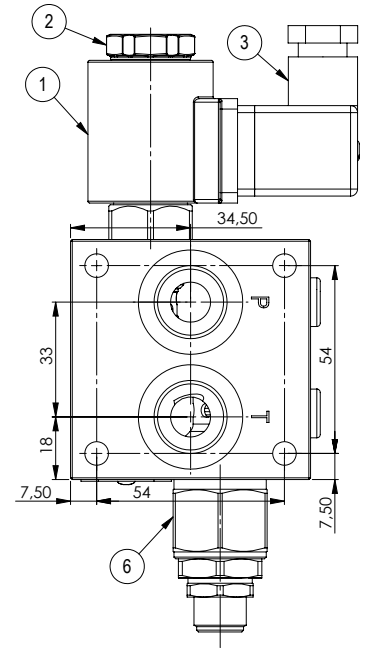
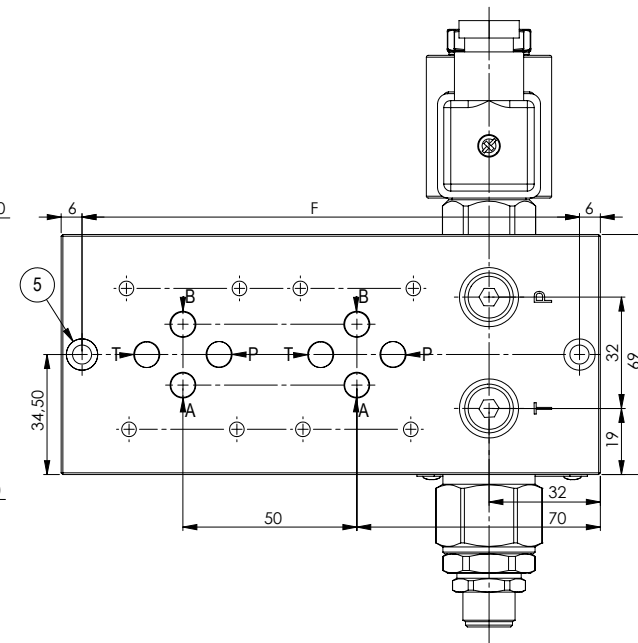
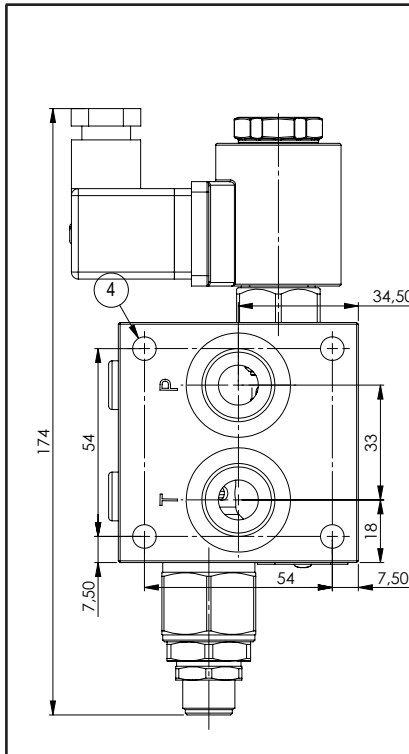
Cetop 3 subplate from 2 to 7 stations / bypass and relief valves
crossing P-T ports 1/2" G / side A-B ports 3/8" G / 40 lpm

H3626

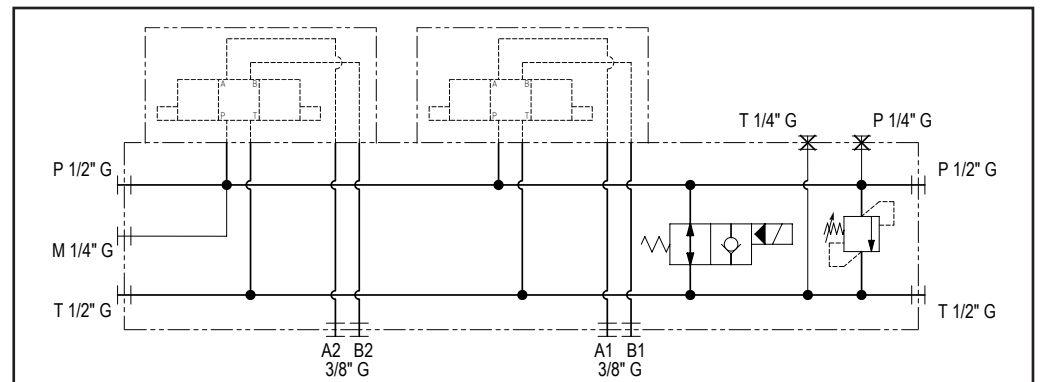
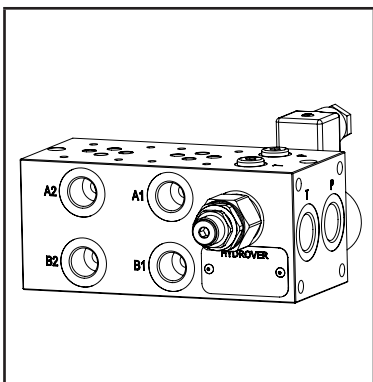
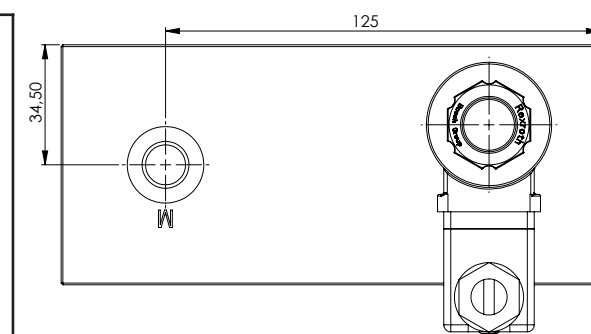
Technical data	
Max. pressure	250 bar
Max. flow	40 lpm *
Manifold material	Aluminium
M / P / T ports	1/4" G
A / B ports	3/8" G
P / T ports	1/2" G



Dimensions in mm



Stat.	F	L	Weight
2	143	155	1,7 Kg
3	193	205	2,3 Kg
4	243	255	2,9 Kg
5	293	305	3,5 Kg
6	343	355	4,2 Kg
7	393	405	4,8 Kg



Ordering code

H	3	6	2	6	A	_	_	-	_	_	-	_	_	_
---	---	---	---	---	---	---	---	---	---	---	---	---	---	---

Hydrover product
Product series

36 series - Cetop 3 subplates

Product ID
Manifold material

Aluminium

Number of Cetop 3 stations

2 stations	= 2P
3 stations	= 3P
4 stations	= 4P
5 stations	= 5P
6 stations	= 6P
7 stations	= 7P

Relief valve adjustment type *

Screw = S

Relief valve adjustment pressure range *

25-120 bar	= 1
40-200 bar	= 2
200-350 bar	= 3

Solenoid valve coil connection *

 1 = DIN 43650
ISO 4400

Solenoid valve coil voltage *

OB =	12V DC
OC =	24V DC
OD =	48V DC
OU =	110V RAC
AH =	230V RAC

Solenoid valve manual override *

E0 =	Without
EP =	Push
EG =	Push and twist

* Omit if not required. For example, to order the product without coil, omit the coil voltage and connection options: eg. H3626A3P-S2-E0.

To inhibit the relief valve, replace the related options with TL: eg. H3626A3P-TL-E0-OC1.

In the cavity it will be mounted a long plug.

Valve	Cavity	Long plug code
Bosch Rexroth solenoid valve VEI-16-08A-NA OD.15.06.18-Y-000000	CA-08A-2N	0489A2005600000
Pressure relief valve VMD1.040	CA-10A-2N	0489A2008500000

N°	Description	Q.ty
1	Bosch Rexroth coil D36 - CLASS H DIN 43650 ISO 4400 **	1
2	Bosch Rexroth solenoid valve VEI-16-08A-NA OD.15.06.18-Y-000000 depicted without manual override **	1
3	Connector DIN 43650 ISO 4400	1
4	Foro M8x15 thread for mounting	8
5	Ø 5,5 through hole with counterbore for mounting	2
6	Bosch Rexroth relief valve VMD1.040 **	1

** for complete technical information, click on the blue link or go to the components section at the end of the catalogue