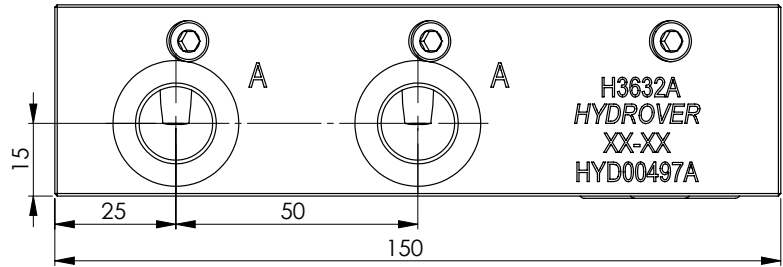
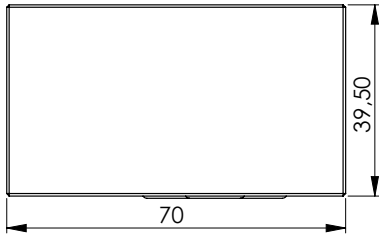
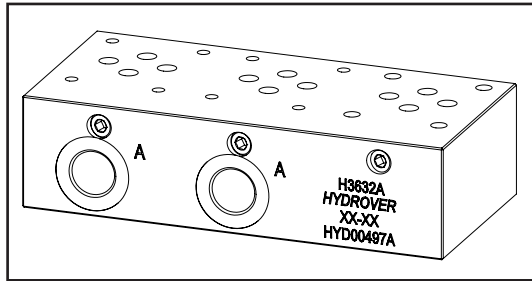


Plate for adding two Cetop 3 stations / side A-B ports 3/8" G **H3632**

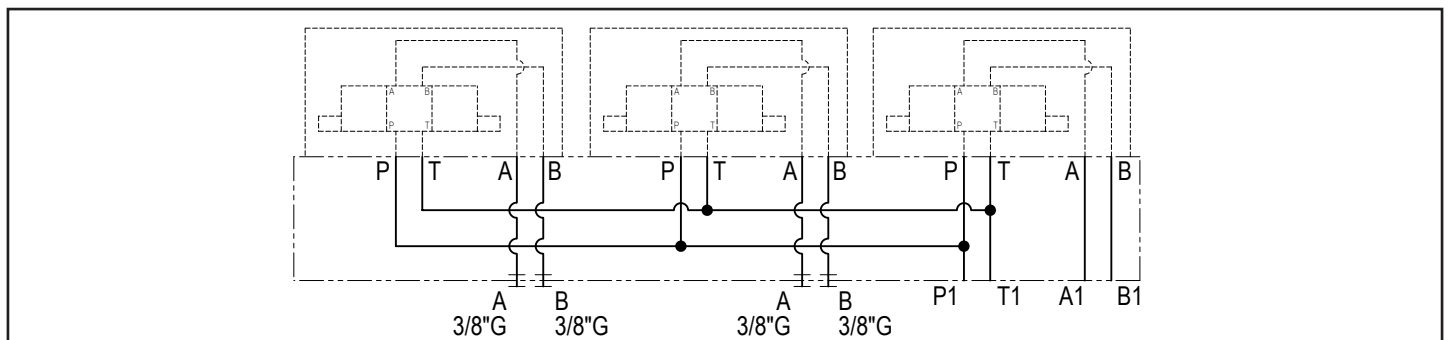
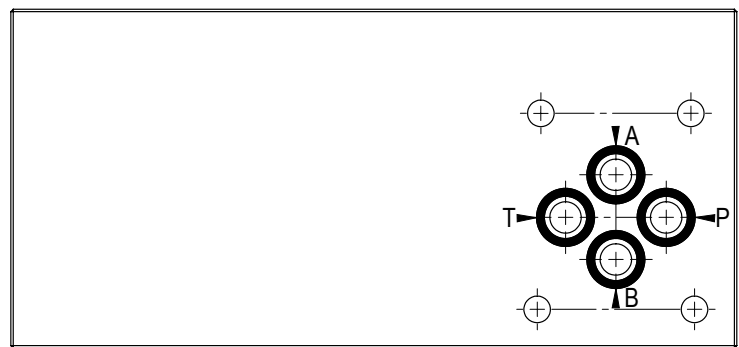
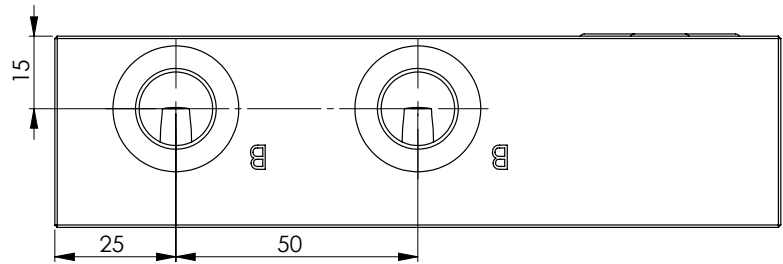
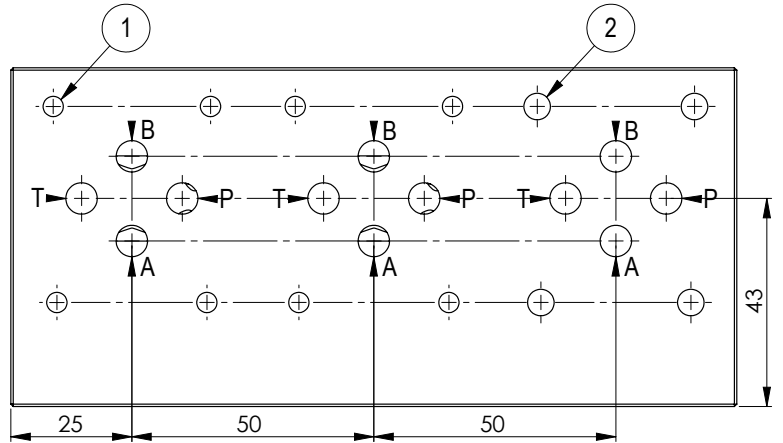


Dimensions in mm

Technical data	
Max. pressure	250 bar
Weight	1,05 Kg



N°	Description	Q.ty
1	M5x10 for mounting	8
2	Ø 5,5 through hole for mounting	4
3	OR 108 i. Ø 8,73 cross section 1,78	4



Ordering code

H	3	6	3	2	A
---	---	---	---	---	---

**Hydrover product**

**Manifold material**  
Aluminium

**Product series**  
36 series - Cetop 3 subplates

**Product ID**

**Example assembly**

