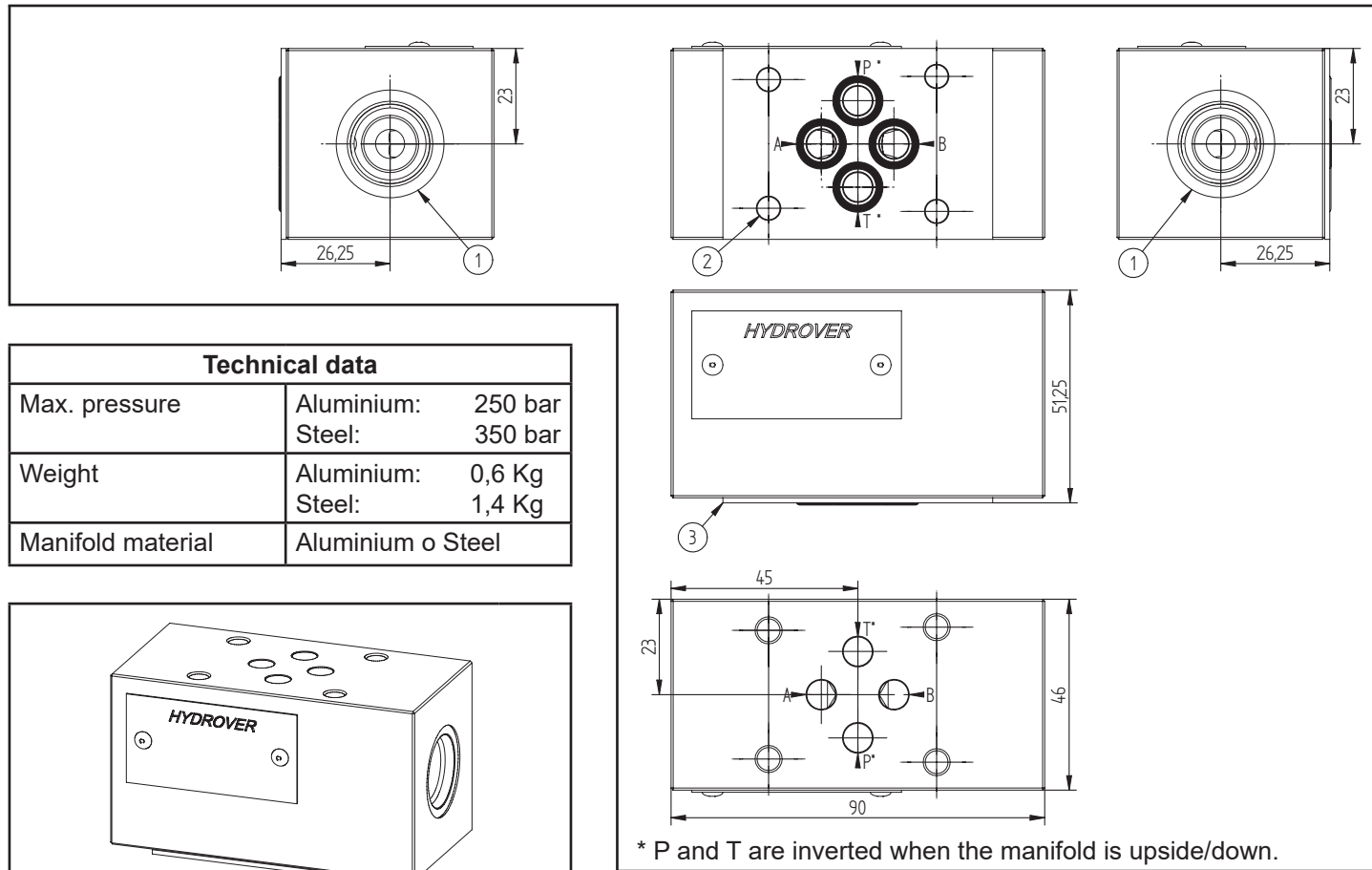


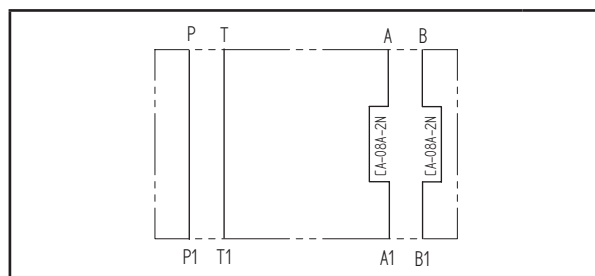
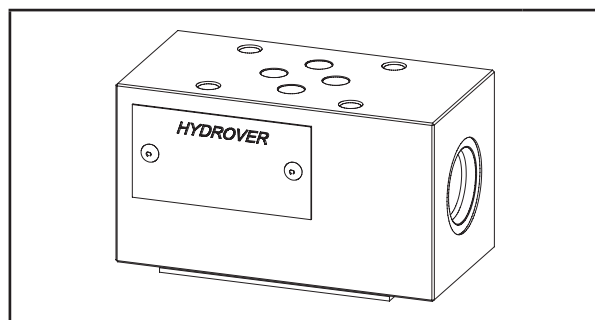
Cetop 3 modular manifold with CA-08A-2N cavities on A and B for valves and solenoid valves / invertible with seal plate

H3902



Dimensions in mm

Technical data		
Max. pressure	Aluminium:	250 bar
	Steel:	350 bar
Weight	Aluminium:	0,6 Kg
	Steel:	1,4 Kg
Manifold material	Aluminium o Steel	



N°	Description	Q.ty
1	Cavity CA-08A-2N	2
2	∅ 5,5 through hole for mounting	4
3	Seal plate	1

This Cetop 3 modular manifold has two CA-08A-2N cavities. With a few valves, solenoid valves and plugs, you can configure on A and/or B a high quantity of functions.

Ordering code

H 3 9 0 2 _

Hydrover product

Product series

39 series - Cetop 3 modular valves

Manifold material

Aluminium

Steel

Product ID

Diagram example with manifold in normal position

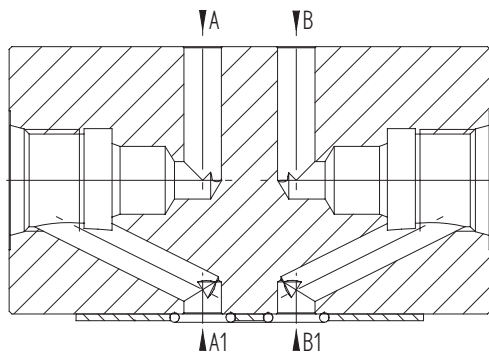
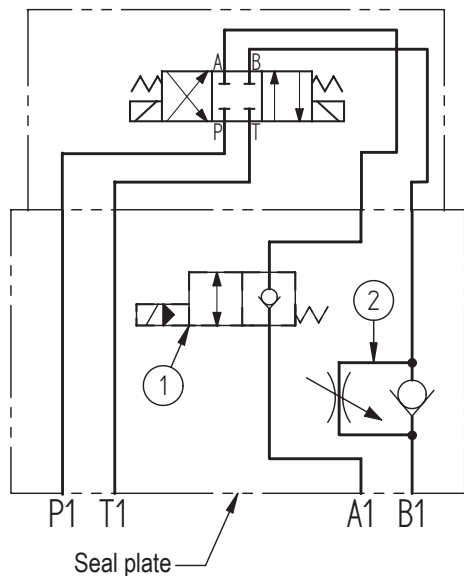
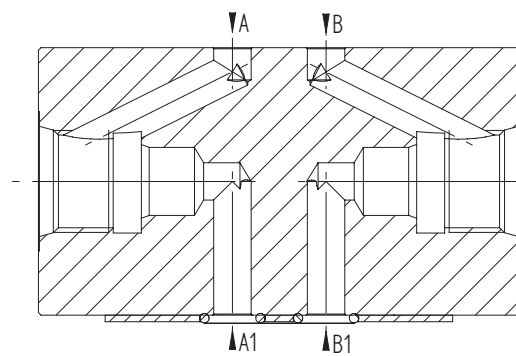
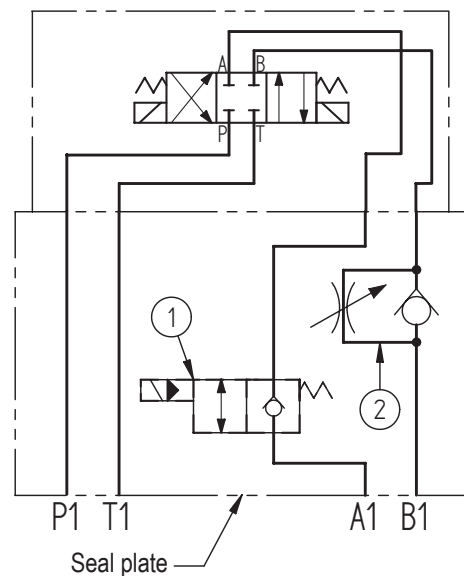


Diagram example with manifold in inverted position



N°	Description	Q.ty
1	Bosch Rexroth solenoid valve VEI-16-08A-NA OD.15.06.18-Y-000000	1
2	Bosch Rexroth unidirectional flow restrictor STVU-08A	1