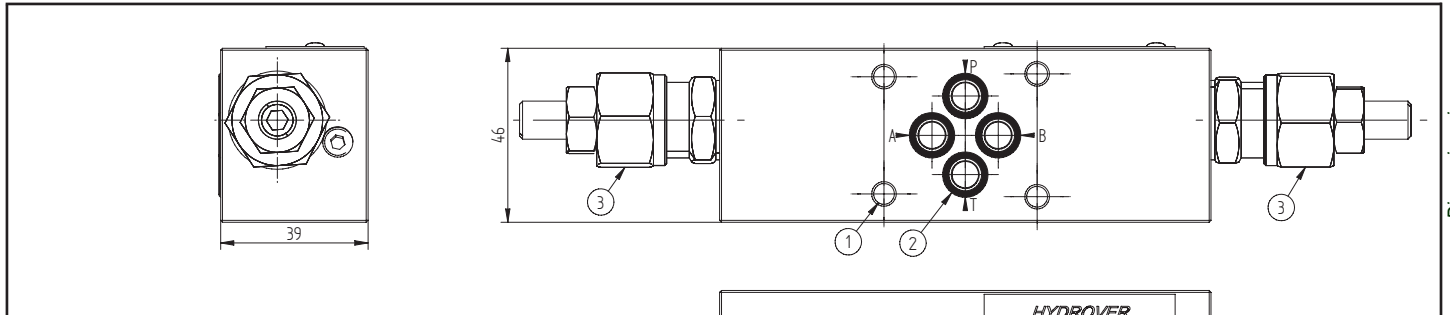


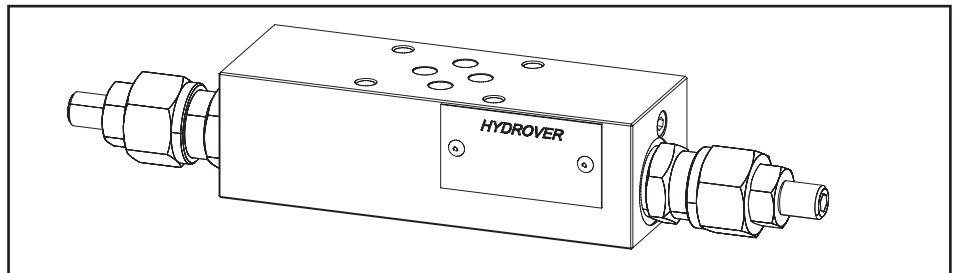
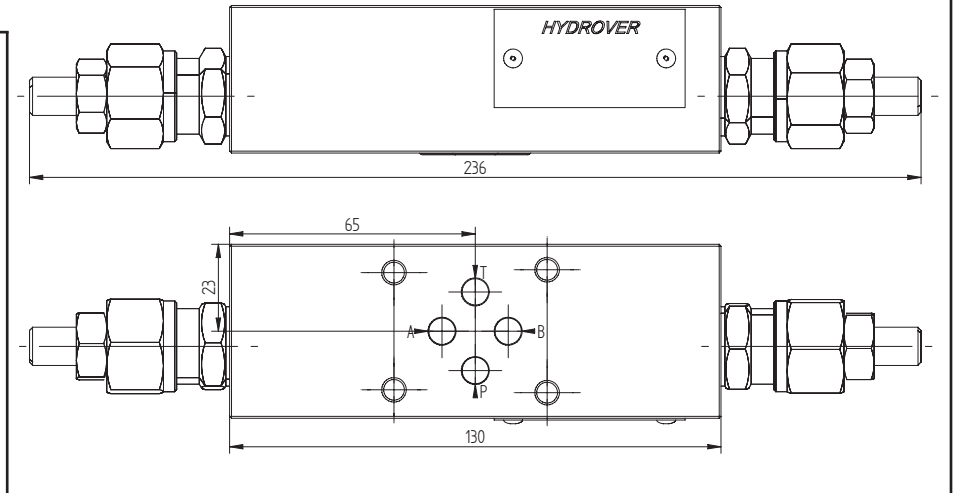
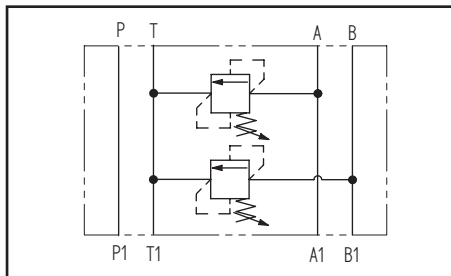
Cetop 3 modular relief valve on A and B / 30 lpm

H3904



Dimensions in mm

Technical data	
Max. pressure	250 bar
Max. flow	30 lpm
Weight	0,9 Kg
Manifold material	Aluminum



N°	Description	Q.ty
1	Ø 5,5 through hole for mounting	4
2	OR 108 i. Ø 8,73 cross section 1,78	4
3	Bosch Rexroth relief valve VS-30 * depicted with screw adjustment	2

* for complete technical information, click on the blue link or go to the components section at the end of the catalogue

Ordering code

H	3	9	0	4	A	-	-	-	-	-
---	---	---	---	---	---	---	---	---	---	---

Hydrover product

Product series

39 series - Cetop 3 modular valves

Product ID

Manifold material

Aluminum

Relief valve adjustment pressure range on B *

0 =	5-50 bar
1 =	30-100 bar
2 =	50-210 bar
3 =	100-350 bar

Relief valve adjustment type on B *

S =	Screw
K =	Knob

Relief valve adjustment pressure range on A *

0 =	5-50 bar
1 =	30-100 bar
2 =	50-210 bar
3 =	100-350 bar

Relief valve adjustment type on A *

S =	Screw
K =	Knob

* Omit if not required. To order the product without the pressure relief cartridge valves, omit the pressure range and the adjustment type options for A and B: H3904A.
The manifold will still be provided with the corresponding cavities.