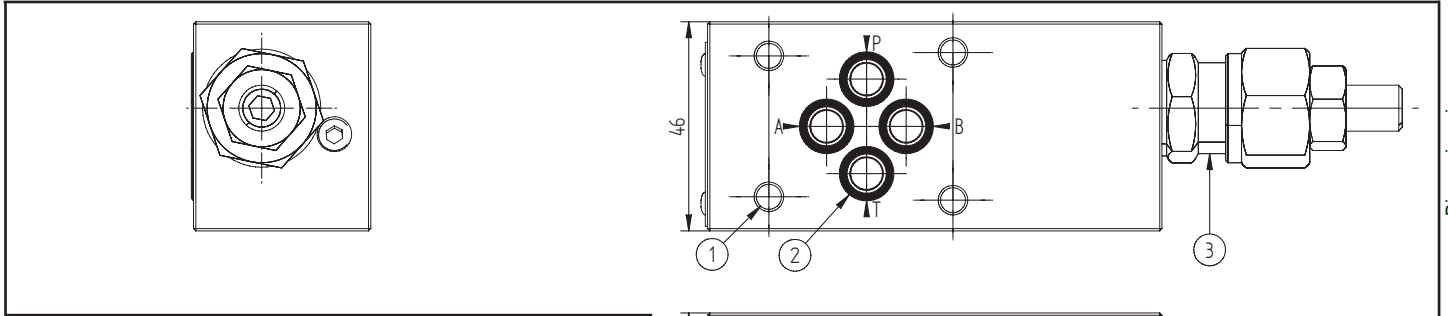
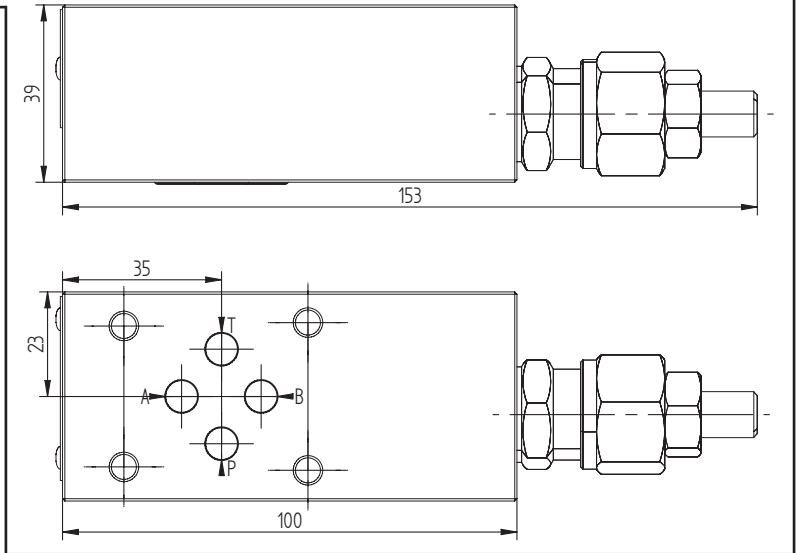
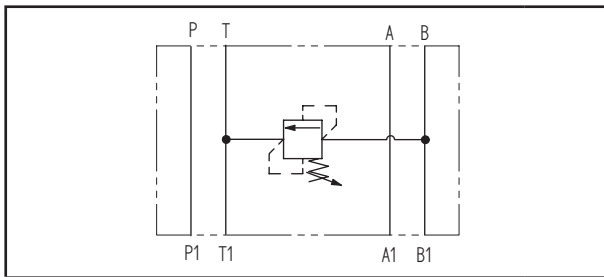
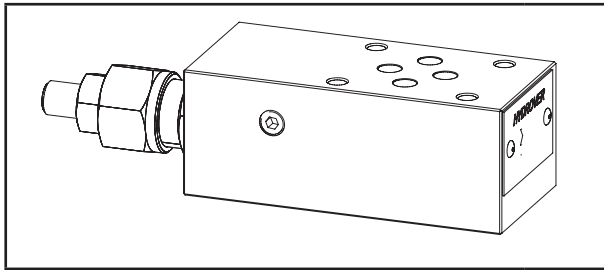


Dimensions in mm



Technical data	
Max. pressure	250 bar
Max. flow	30 lpm
Weight	Aluminum 0,6 Kg Steel 1,4 Kg
Manifold material	Aluminum or steel



N°	Description	Q.ty
1	Ø 5,5 through hole for mounting	4
2	OR 108 i. Ø 8,73 cross section 1,78	4
3	Bosch Rexroth relief valve <b>VS-30</b> * depicted with screw adjustment	1

\* for complete technical information, click on the blue link or go to the components section at the end of the catalogue

Ordering code

H	3	9	0	5	_	-	_	_
---	---	---	---	---	---	---	---	---

**Hydrover product**

**Product series**

39 series - Cetop 3 modular valves

**Product ID**

**Relief valve adjustment pressure range \***

- 0 = 5-50 bar
- 1 = 30-100 bar
- 2 = 50-210 bar
- 3 = 100-350 bar

**Relief valve adjustment type \***

- S = Screw
- K = Knob

**Manifold material**

- A = Aluminum
- S = Steel

\* Omit if not required. To order the product without the pressure relief cartridge valve, omit the pressure range and the adjustment type options: H3905A.  
The manifold will still be provided with the corresponding cavity.