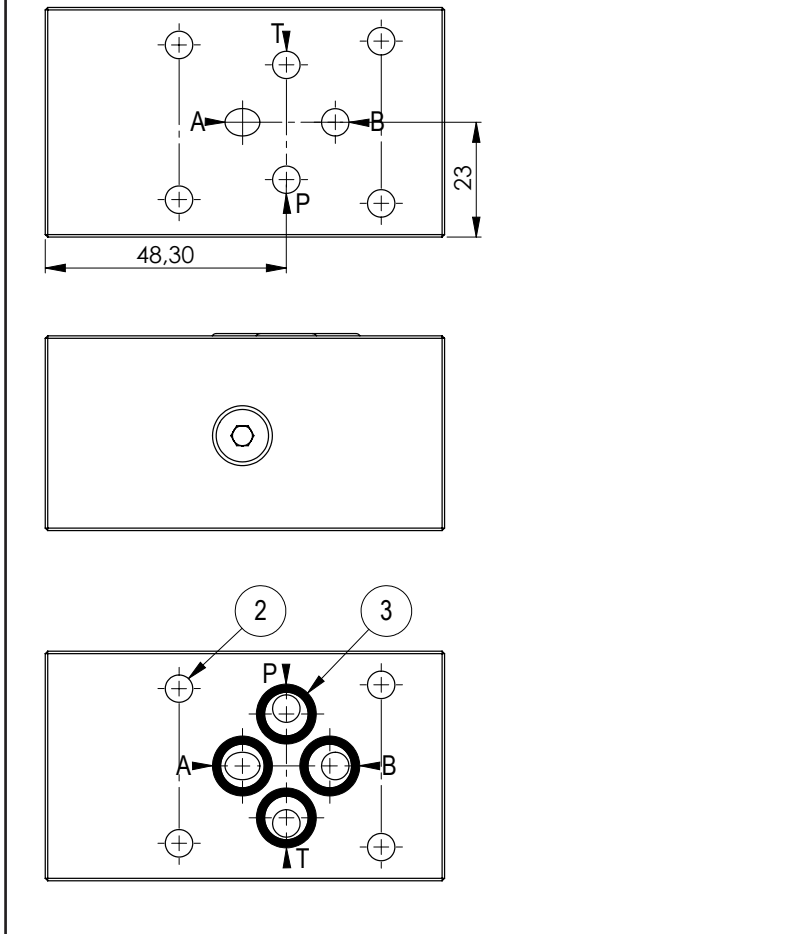
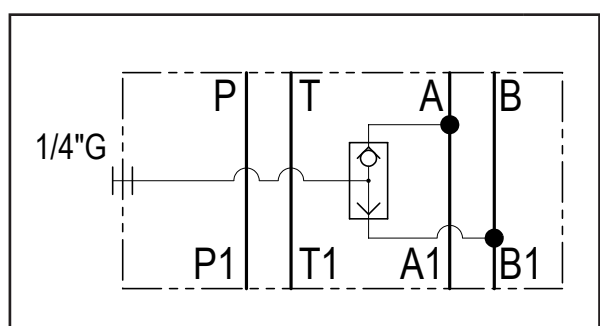
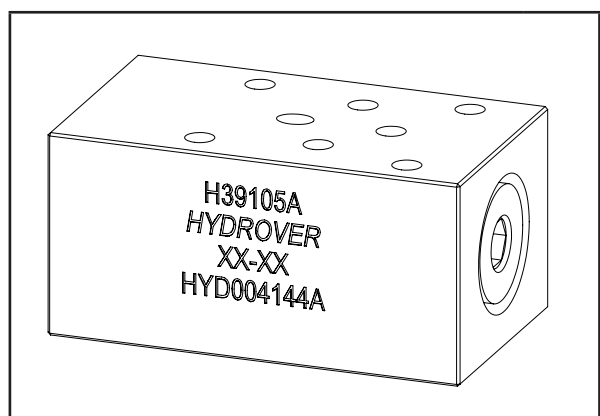


Technical data	
Max. flow shuttle valve	5 lpm
Max. flow A/B/P/T	40 lpm
Max. pressure	Aluminium: 250 bar
	Steel: 350 bar
Weight	Aluminium: 0,4 Kg
	Steel: 1 Kg
Manifold material	Aluminium or Steel
Shuttle valve port	1/4" G



N°	Description	Q.ty
1	Sealed shuttle valve under 3/8" G plug	1
2	Ø 5,5 through hole for mounting	4
3	OR 108 i. Ø 8,73 cross section 1,78	4

H39105

Codice d'ordinazione

H	3	9	1	0	5	_
---	---	---	---	---	---	---

Hydrover product

Product series

39 series - Cetop 3 modular valves

Manifold material

Aluminium

Steel

A =

S =

Product ID