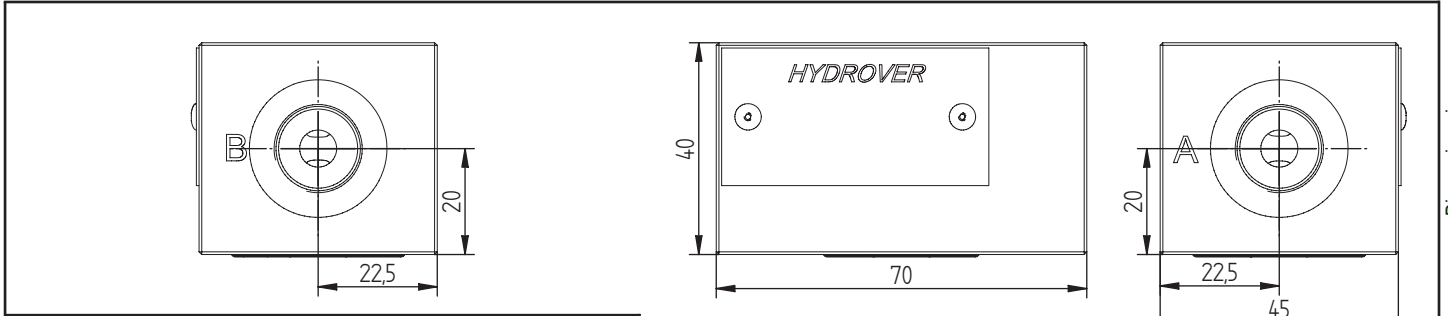
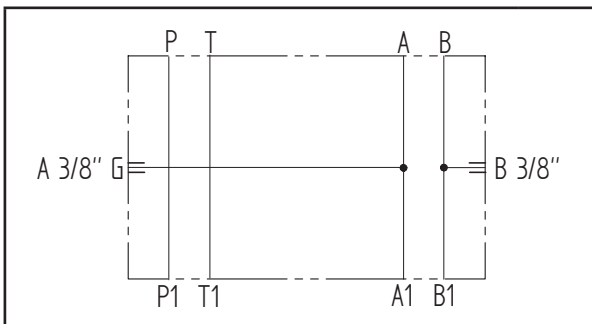
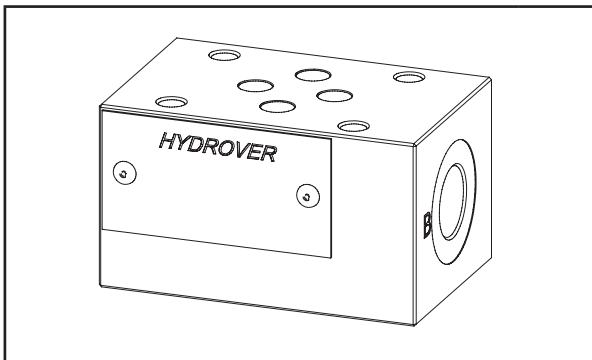


Cetop 3 modular manifold with side additional A-B ports 3/8" G **H3913**

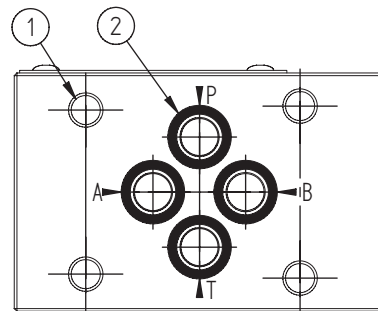
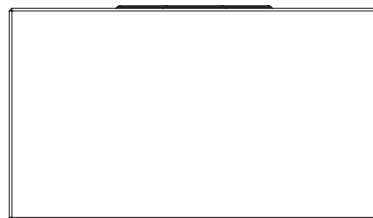
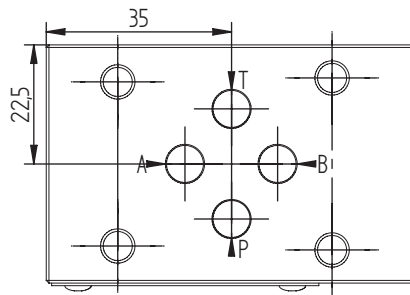
Dimensions in mm



Technical data		
Max. pressure	Aluminium:	250 bar
	Steel:	350 bar
Weight	Aluminium:	0,3 Kg
	Steel:	0,9 Kg
Manifold material	Aluminium o Steel	
A / B ports	3/8" G	



N°	Description	Q.ty
1	Ø 5,5 through hole for mounting	4
2	OR 108 i. Ø 8,73 cross section 1,78	4



H3913

Ordering code

H	3	9	1	3	_
---	---	---	---	---	---

Hydrover product

Product series

39 series - Cetop 3 modular valves

Manifold material

Aluminium

Steel

A =

S =

Product ID