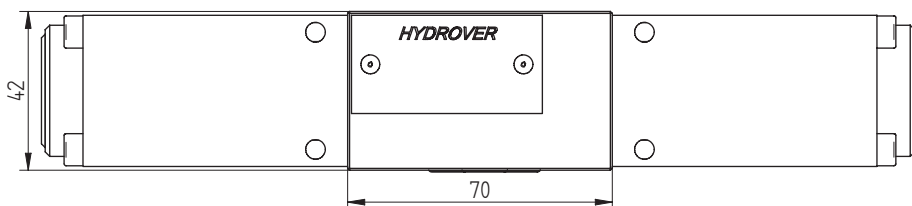
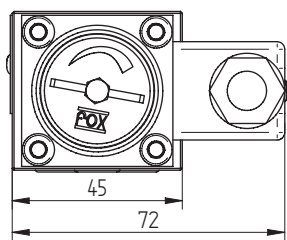
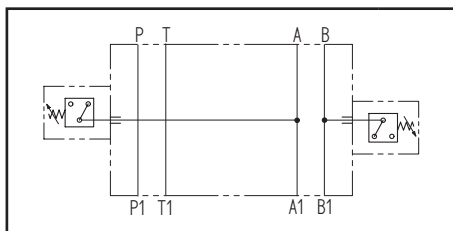
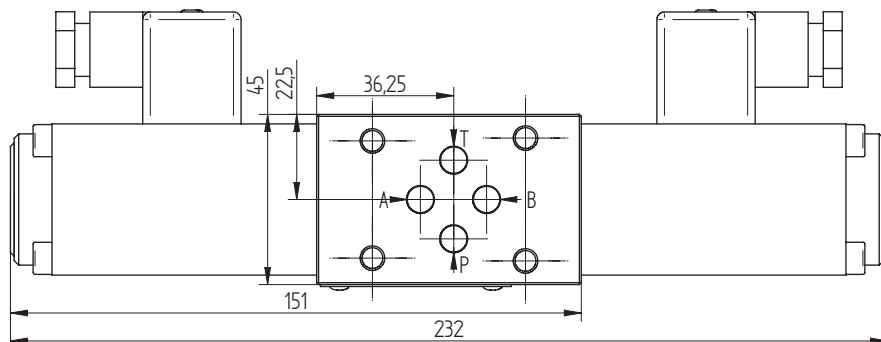


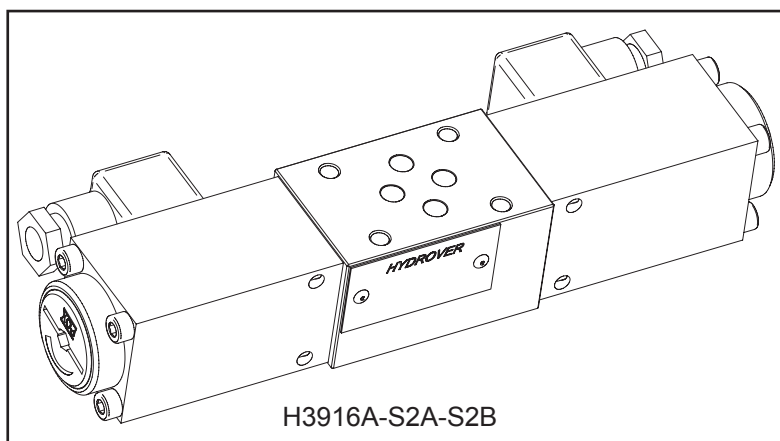
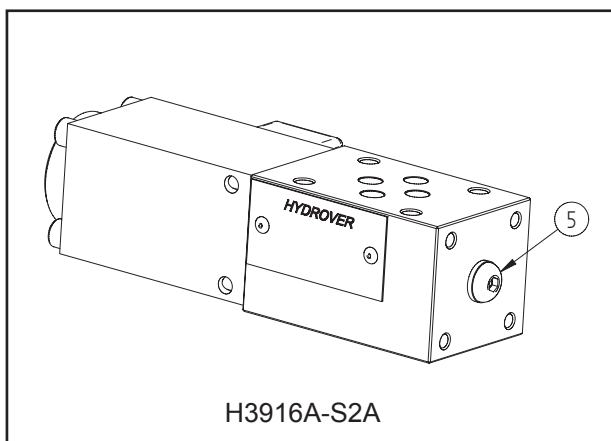
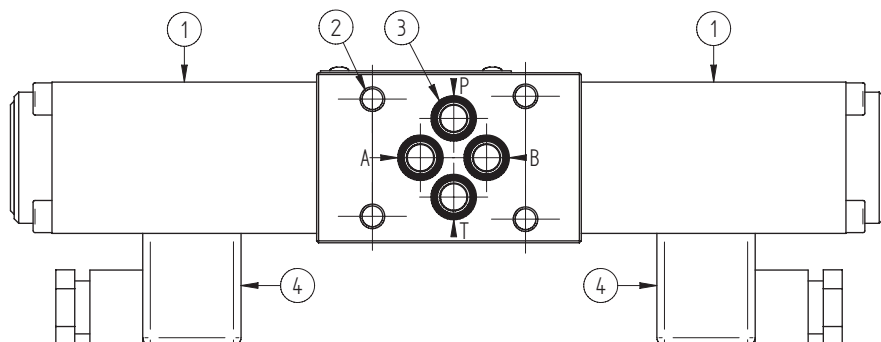
Dimensions in mm



Technical data	
Max. pressure	250 bar
Manifold material	Aluminum
Weight 1 pressure switch	0,7 Kg
Weight 2 pressure switch	1,05 Kg



N°	Description	Q.ty
1	Pressure switch FOX K5	1/2
2	Ø 5,5 through hole for mounting	4
3	OR 108 i. Ø 8,73 cross section 1,78	4
4	Connector DIN 43650 ISO 4400	1/2
5	M6 plug with bonded washer for configurations with 1 pressure switch.	1



Ordering code

H 3 9 1 6 A - - - A - - - B

Hydrover product

Product series

39 series - Cetop 3 modular valves

Product ID

Manifold material

Aluminum

Pressure switch side*
On B

B side pressure range *

- 1 = 5-100 bar
- 2 = 20-200 bar
- 3 = 30-300 bar

B side adjustment type *

- S = Screw
- K = Knob

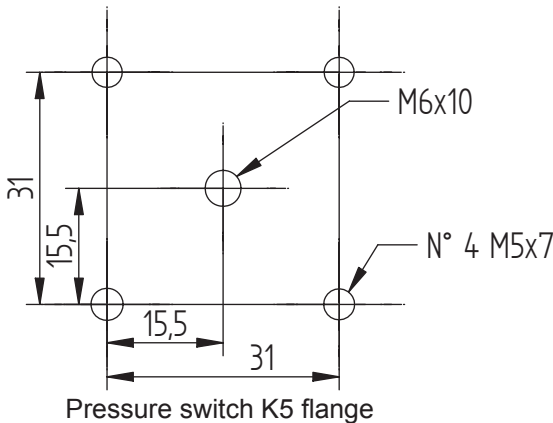
Pressure switch side *
On A

A side pressure range *

- 1 = 5-100 bar
- 2 = 20-200 bar
- 3 = 30-300 bar

A side adjustment type *

- S = Screw
- K = Knob



Pressure switch K5 flange

* Omit if not required. For example to order the product with the pressure switch only on A, omit the adjustment type, pressure range and pressure switch B side options: H3916A-K2A.

“K5” adjustable pressure switches activate a microswitch once preset value is reached. The pressure is set by rotating a graduated knob or, for the economical version, by a setscrew located on top of the unit. Both systems are supplied with a device permits locking the desired set pressure. Mechanical stops protect both the spring and the microswitch from over pressurization.

Technical Features:

- Body : square 40x40mm in anodized aluminium
- Assembly: in every position with 1/4”BSPF threaded port or Cetop flanged without needs adaptors
- Working temperature: from - 20°C to + 80°C
- Switching frequency: 120 cycles/min
- Switching accuracy: ±2% of the end of scale to 20°C
- Fixed hysteresis value: ~ 15% of the end of scale at 20°C
- Mechanical life: 106 cycles at 70 bar at 20°C
- Maximum load: 5 Ampère at 250 Volt AC 0.25 Ampère at 250 Volt DC
- Exchange contact NO and NC
- Electric connection according to DIN 43650

For more informations www.fox.it