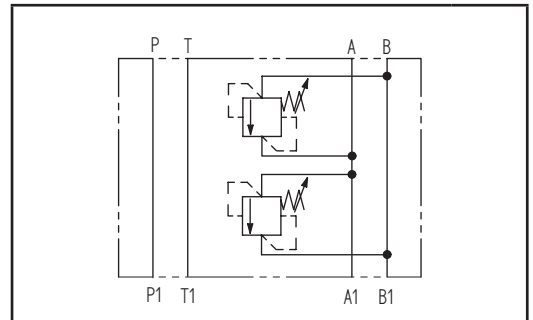


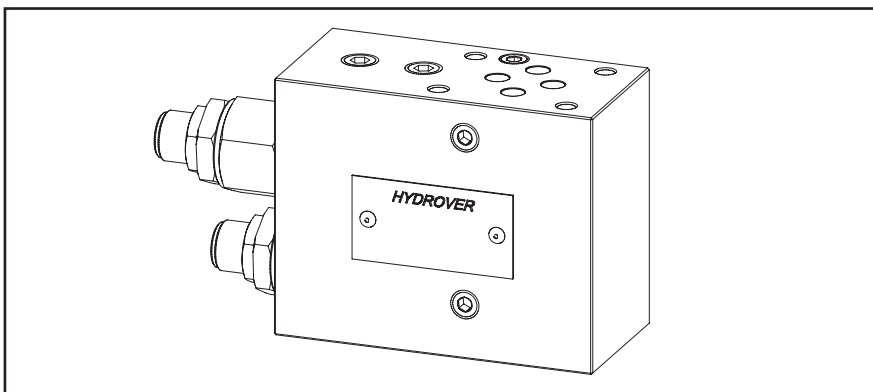
Dimensions in mm

Technical data	
Max. pressure	250 bar
Max. flow	50 lpm
Weight	1,3 Kg
Manifold material	Aluminum



N°	Description	Q.ty
1	Ø 5,5 through hole for mounting	4
2	OR 108 i. Ø 8,73 cross section 1,78	4
3	Bosch Rexroth relief valve VMD1.070 *	2

* for complete technical information, click on the blue link or go to the components section at the end of the catalogue



Ordering code

H	3	9	1	7	A	-	-	-	-	-
---	---	---	---	---	---	---	---	---	---	---

Hydrover product

Product series

39 series - Cetop 3 modular valves

Product ID

Manifold material

Aluminum

Relief valve adjustment pressure range on B *

0 =	10-60 bar
1 =	40-110 bar
2 =	110-220 bar
3 =	220-260 bar

Relief valve adjustment type on B *

S = Screw

Relief valve adjustment pressure range on A *

0 =	10-60 bar
1 =	40-110 bar
2 =	110-220 bar
3 =	220-260 bar

Relief valve adjustment type on A *

S = Screw

* Omit if not required. To order the product without the pressure relief cartridge valves, omit the pressure range and the adjustment type options for A and B: H3917A.
 The manifold will still be provided with the corresponding cavities.
 To inhibit a function, replace the related valve options with TL: eg H3917A-TL-S2.
 In the cavity it will be mounted a long plug.

Valve	Cavity	Long plug code
Pressure relief valve VMD1.070	CA-10A-2N	0489A2008500000