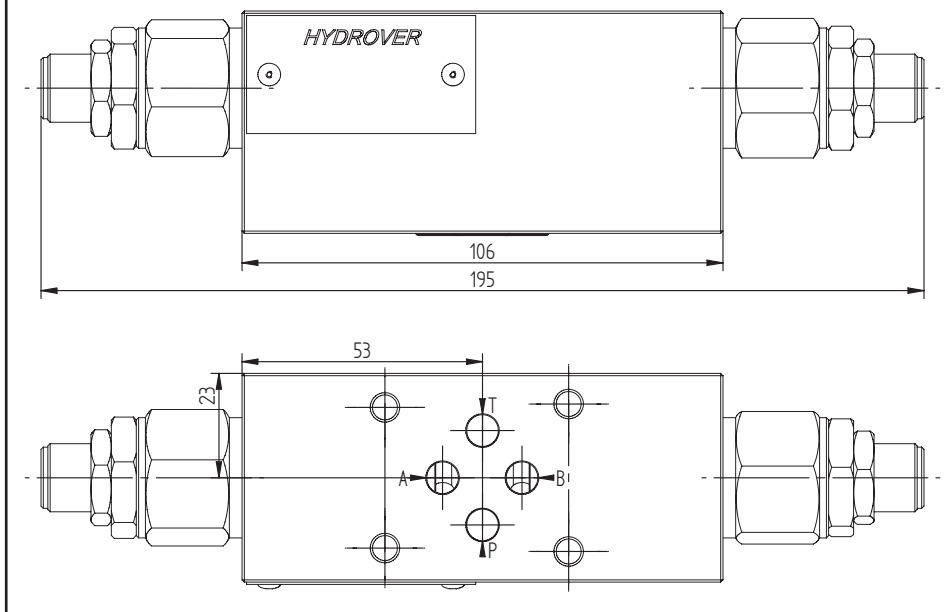
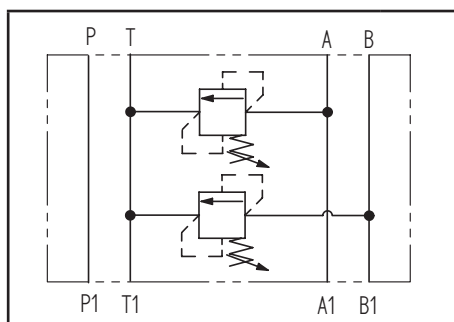


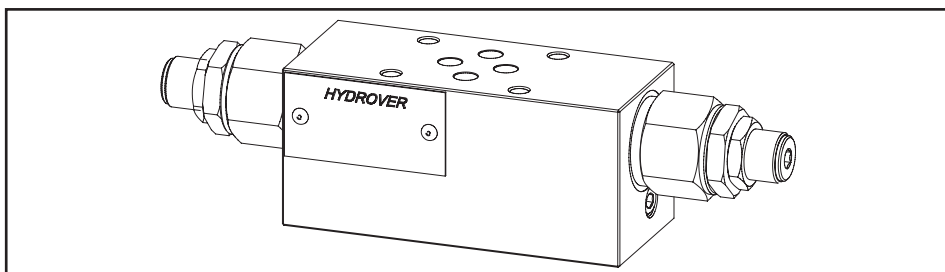
Dimensions in mm

Technical data	
Max. pressure	250 bar
Max. flow	70 lpm
Weight	1 Kg
Manifold material	Aluminum



N°	Description	Q.ty
1	Bosch Rexroth relief valve <b>VMD1.070</b> *	2
2	Ø 5,5 through hole for mounting	4
3	OR 108 i. Ø 8,73 cross section 1,78	4

\* for complete technical information, click on the blue link or go to the components section at the end of the catalogue



Ordering code

H	3	9	2	0	A	-	-	-	-	-
---	---	---	---	---	---	---	---	---	---	---

**Hydrover product**

**Product series**

39 series - Cetop 3 modular valves

**Product ID**

**Manifold material**

Aluminum

**Relief valve adjustment pressure range on B \***

- 0 = 10-60 bar
- 1 = 40-110 bar
- 2 = 110-220 bar
- 3 = 220-260 bar

**Relief valve adjustment type on B \***

S = Screw

**Relief valve adjustment pressure range on A \***

- 0 = 10-60 bar
- 1 = 40-110 bar
- 2 = 110-220 bar
- 3 = 220-260 bar

**Relief valve adjustment type on A \***

S = Screw

\* Omit if not required. To order the product without the pressure relief cartridge valves, omit the pressure range and the adjustment type options for A and B: H3920A.  
The manifold will still be provided with the corresponding cavities.