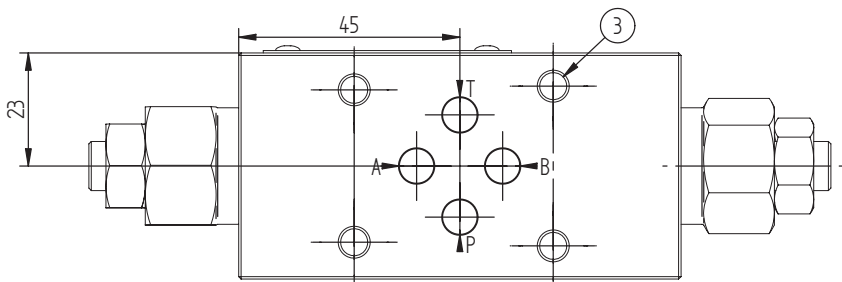
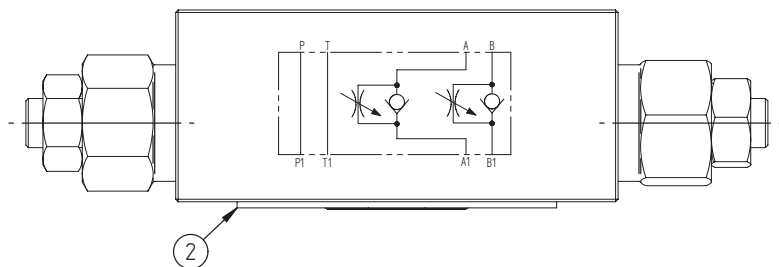
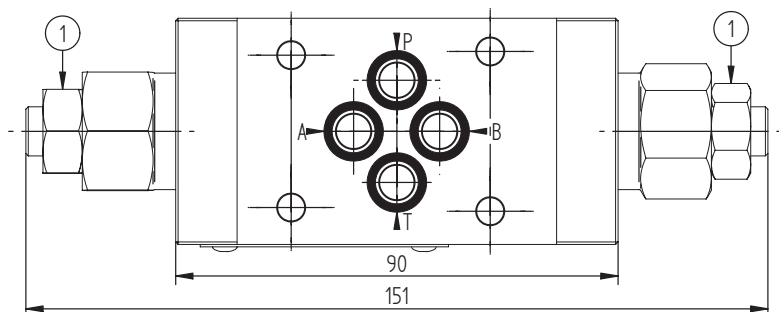
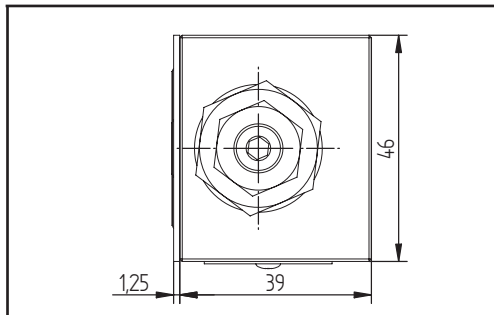
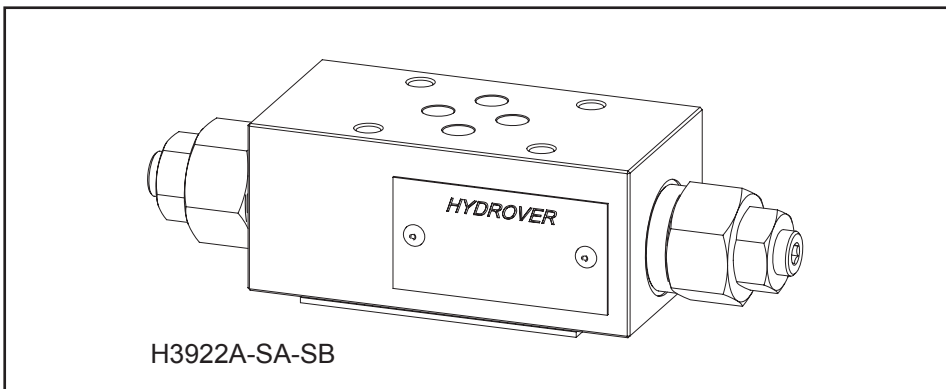
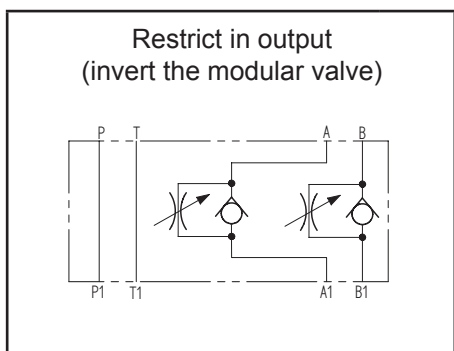
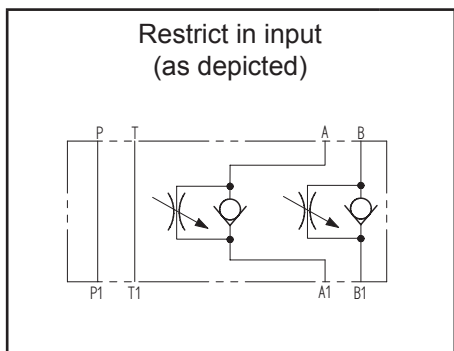


Dimensions in mm



Technical data	
Max. pressure	Aluminum: 250 bar Steel: 350 bar
Max. flow	40 lpm
Weight with 1 valve	Aluminum: 0,7 Kg Steel: 1,4 Kg
Weight with 2 valves	Aluminum: 0,8 Kg Steel: 1,5 Kg
Manifold material	Aluminum o Steel



N°	Description	Q.ty
1	Bosch Rexroth unidirectional flow restrictor STVU-08A * depicted with screw adjustment	1/2
2	Seal plate	4
3	Ø 5,5 through hole for mounting	4

* for complete technical information, click on the blue link or go to the components section at the end of the catalog

Ordering code

H	3	9	2	2	_	-	_	_	-	_	_
---	---	---	---	---	---	---	---	---	---	---	---

Hydrover product

Product series

39 series - Cetop 3 modular valves

Product ID

Manifold material

Aluminum
Steel

= A
= S

Unidirectional flow restrictor on B

SB = Screw
KB = Knob
TB = Without flow restrictor

Unidirectional flow restrictor on A

SA = Screw
KA = Knob
TA = Without flow restrictor

To inhibit one of the flow restrictors, substitute the related options with T: eg. H3922A-TA-SB.
In the cavity it will be mounted a short plug.

Valve	Cavity	Short plug code
Bosch Rexroth unidirectional flow restrictor STVU-08A	CA-08A-2N	R-800-008