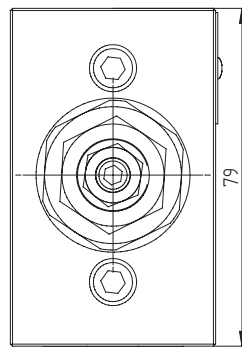
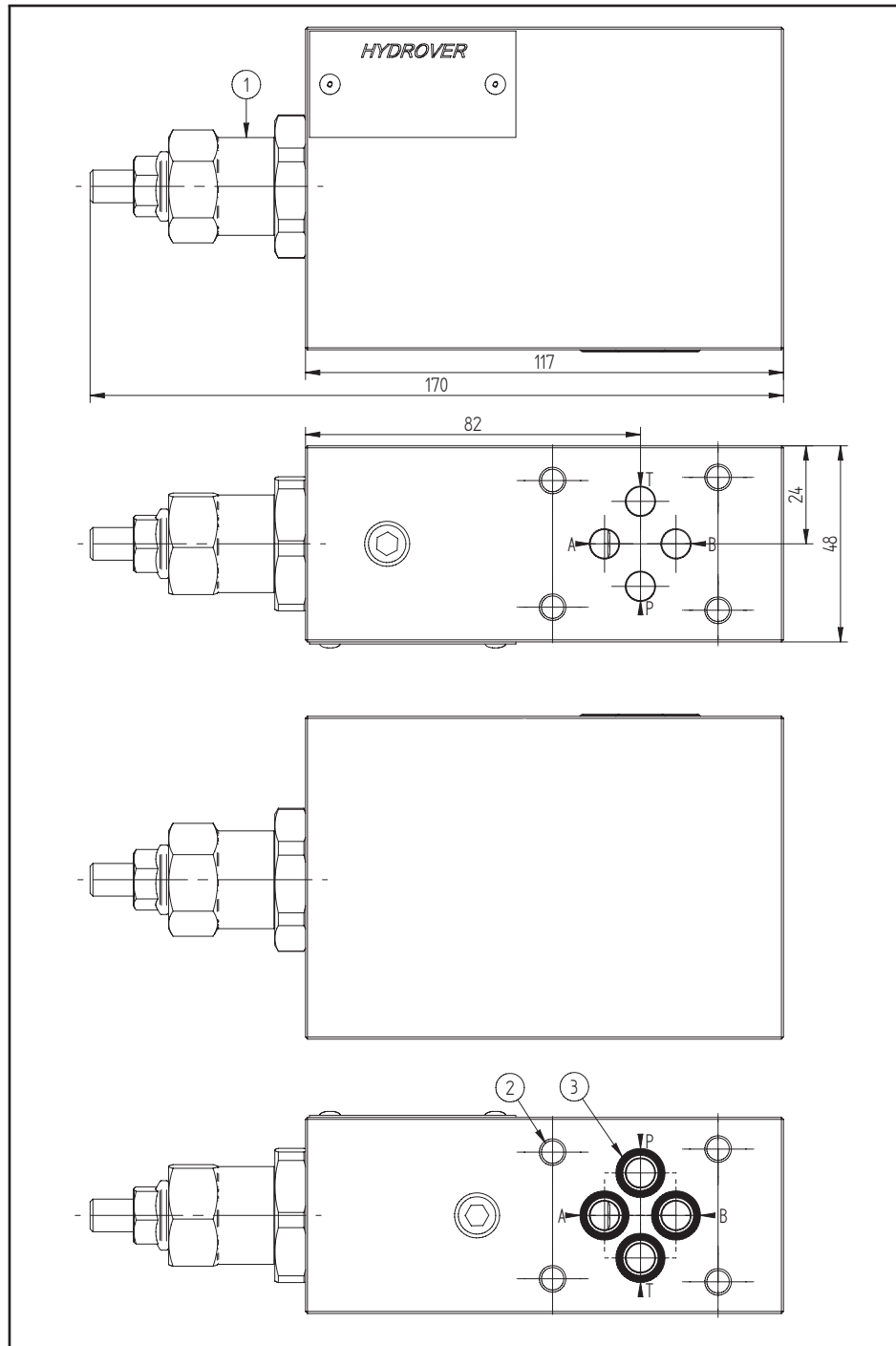
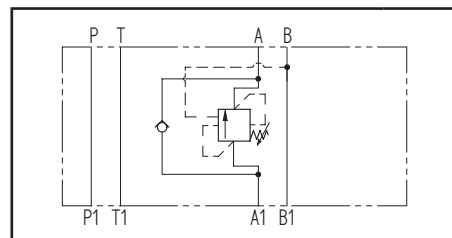


Dimensions in mm

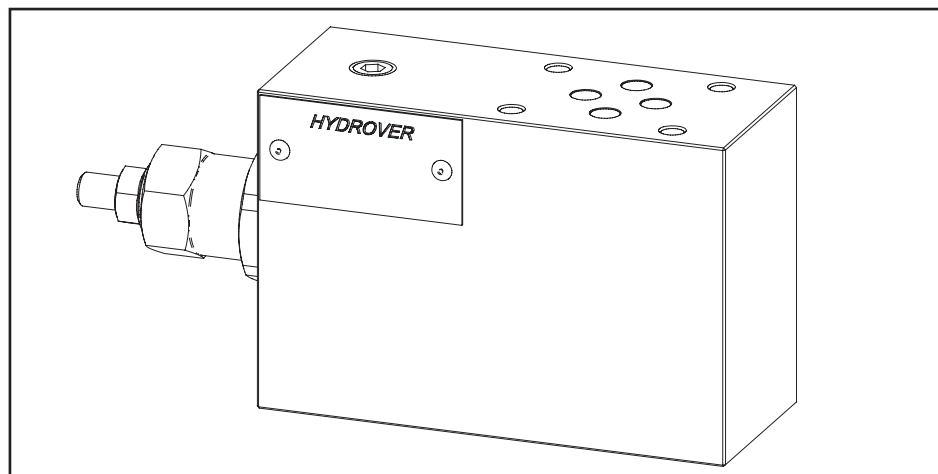


Technical data	
Max. pressure	250 bar
Max. flow	45 lpm *
Pilot ratio	4.2:1
Weight	1,5 Kg
Manifold material	Aluminium



N°	Description	Q.ty
1	Bosch Rexroth counterbalance valve VBSO-SEC-30 *	1
2	Ø 5,5 through hole for mounting	4
3	OR 108 i. Ø 8,73 cross section 1,78	4

* for complete technical information, click on the blue link or go to the components section at the end of the catalogue



Ordering code

H	3	9	2	5	A	-	-	-
---	---	---	---	---	---	---	---	---

Hydrover product

Product series

39 series - Cetop 3 modular valves

Product ID

Manifold material

Aluminium

**Counterbalance valve
adjustment pressure range ***

2 =

60-210 bar

3 =

100-350 bar

**Counterbalance valve
adjustment type ***

S =

Screw

* Omit if not required. To order the product without the counterbalance cartridge valve, omit the adjustment type and pressure range options: H3925A.
The manifold will still be provided with the corresponding cavity.