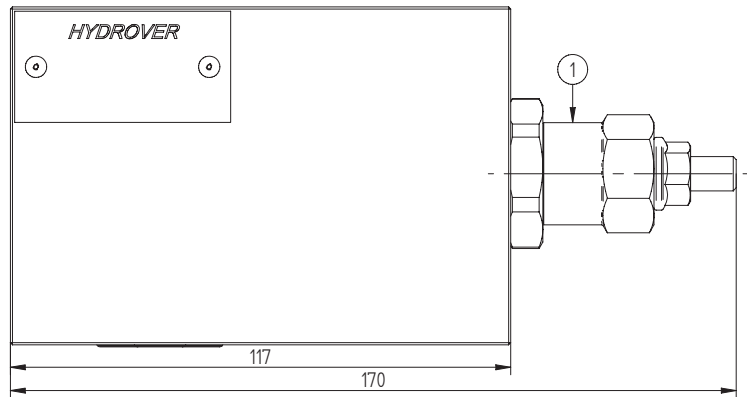
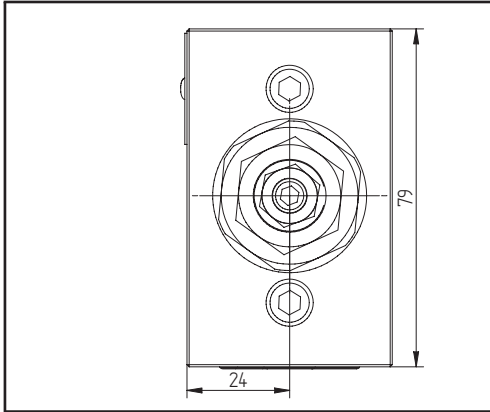
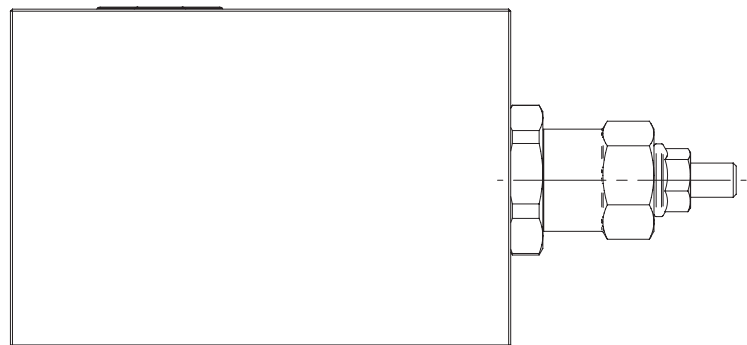
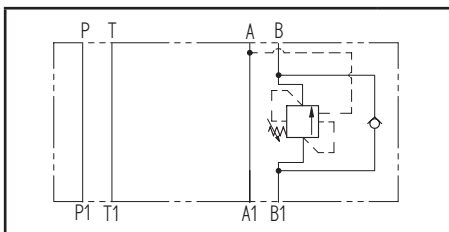
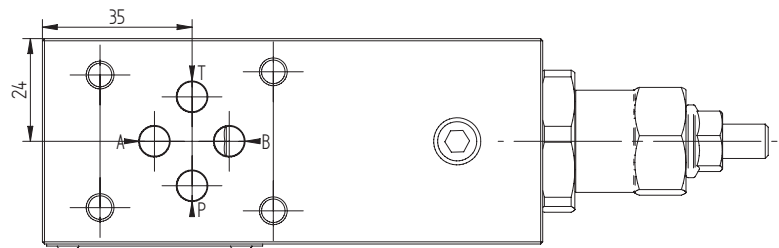


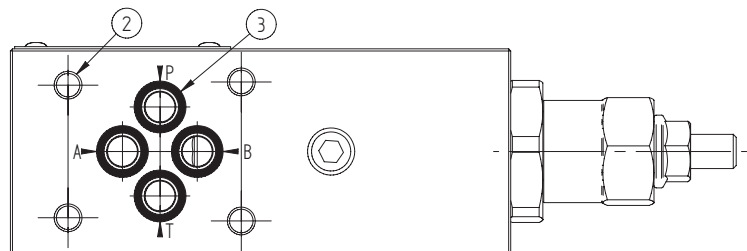
Dimensions in mm



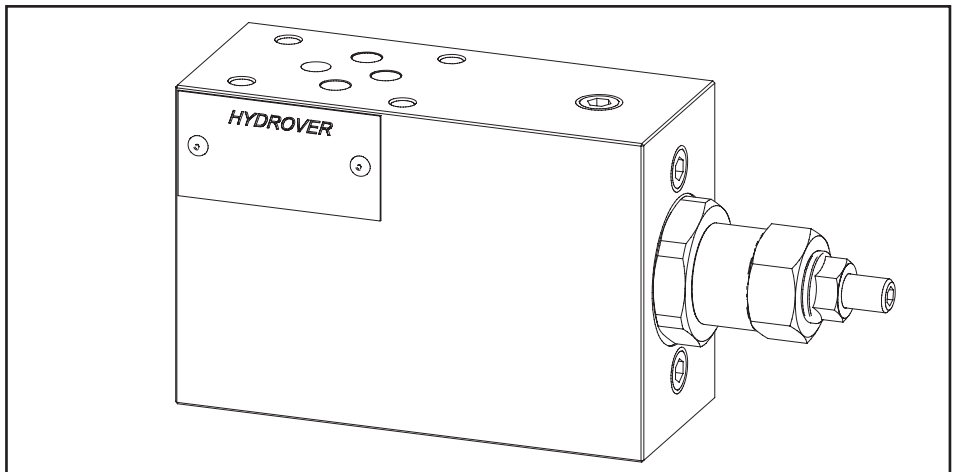
Technical data	
Max. pressure	250 bar
Max. flow	45 lpm *
Pilot ratio	4.2:1
Weight	1,5 Kg
Manifold material	Aluminium



N°	Description	Q.ty
1	Bosch Rexroth counterbalance valve <b>VBSO-SEC-30</b> *	1
2	Ø 5,5 through hole for mounting	4
3	OR 108 i. Ø 8,73 cross section 1,78	4



\* for complete technical information, click on the blue link or go to the components section at the end of the catalogue



Ordering code

H	3	9	2	6	A	-	-	-
---	---	---	---	---	---	---	---	---

**Hydrover product**

**Product series**

39 series - Cetop 3 modular valves

**Product ID**

**Manifold material**

Aluminium

**Counterbalance valve  
adjustment pressure range \***

2 =

60-210 bar

3 =

100-350 bar

**Counterbalance valve  
adjustment type \***

S =

Screw

\* Omit if not required. To order the product without the counterbalance cartridge valve, omit the adjustment type and pressure range options: H3926A.  
The manifold will still be provided with the corresponding cavity.